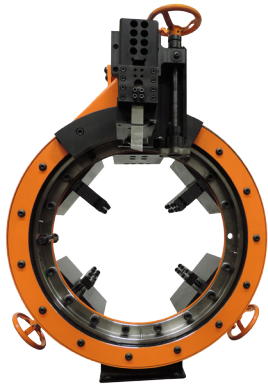


Refuse-to-Fuse™ Cut Grooving Tools for HDPE Models CG3100, CG3300 and CG3500



Front View



Rear View

1.0 PRODUCT DESCRIPTION

- Designed for cut grooving HDPE pipe.
- Mounts on the exterior pipe wall.
- Cuts and grooves the end of the pipe in a single operation.

2.0 CERTIFICATION/LISTINGS

Manufactured by Victaulic Company

This system is certified to ISO 9001:2008 by the LPCB under certificate No. 104.

3.0 SPECIFICATIONS - MATERIAL

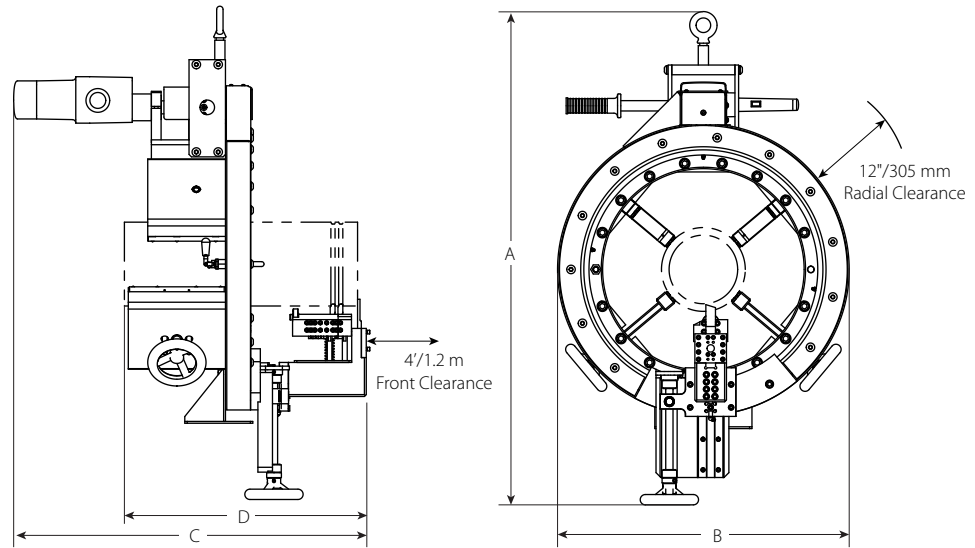
Not applicable - contact Victaulic with any questions.

ALWAYS REFER TO ANY NOTIFICATIONS AT THE END OF THIS DOCUMENT REGARDING PRODUCT INSTALLATION, MAINTENANCE OR SUPPORT.

System No.		Location	
Submitted By		Date	

Spec Section		Paragraph	
Approved		Date	

4.0 DIMENSIONS



Model	Size					Weight lb kg
	A Height inches mm	B Width inches mm	C Length inches mm	D Depth inches mm		
CG3100	43 1092	33 838	37 940	25 635	430 195	
CG3300	54 1372	39 991	38 965	25 635	580 263	
CG3500	63 1600	49 965	48 1219	27 685	715 324	

NOTE

- 2" minimum cut off included in 'D' dimension

5.0 PERFORMANCE

Grooving Size Range

Model	Pipe Outside Diameter ¹ inches mm
CG3100	8 – 18 250 – 450
CG3300	16 – 26 400 – 630
CG3500	24 – 36 630 – 900

¹ HDPE pipe wall thickness is DR7 – DR17.

6.0 NOTIFICATIONS

- The CG3100 and CG3300 tools connect directly to a 120-volt, 50-60 Hz, 20-amp power source. An optional 220-volt single phase, 50-60 Hz model is also available.
 - The CG3500 tool connects directly to a 220-volt single phase, 50-60 Hz, 20-amp power source.
-

7.0 REFERENCE MATERIALS

[I-909: Victaulic Style 908 Double Groove Coupling for HDPE Pipe](#)

TM-CG3000 – CG3000 Series Refuse-to-Fuse™ Cut Grooving Tools Operating and Maintenance Instructions Manual

[I-900: Victaulic Field Installation Handbook – Products for High-Density Polyethylene \(HDPE\) Pipe](#)

I-908: Victaulic Style 908 Coupling Installation Instructions Tag

User Responsibility for Product Selection and Suitability

Each user bears final responsibility for making a determination as to the suitability of Victaulic products for a particular end-use application, in accordance with industry standards and project specifications, as well as Victaulic performance, maintenance, safety, and warning instructions. Nothing in this or any other document, nor any verbal recommendation, advice, or opinion from any Victaulic employee, shall be deemed to alter, vary, supersede, or waive any provision of Victaulic Company's standard conditions of sale, installation guide, or this disclaimer.

Intellectual Property Rights

No statement contained herein concerning a possible or suggested use of any material, product, service, or design is intended, or should be construed, to grant any license under any patent or other intellectual property right of Victaulic or any of its subsidiaries or affiliates covering such use or design, or as a recommendation for the use of such material, product, service, or design in the infringement of any patent or other intellectual property right. The terms "Patented" or "Patent Pending" refer to design or utility patents or patent applications for articles and/or methods of use in the United States and/or other countries.

Note

This product shall be manufactured by Victaulic or to Victaulic specifications. All products to be installed in accordance with current Victaulic installation/assembly instructions. Victaulic reserves the right to change product specifications, designs and standard equipment without notice and without incurring obligations.

Installation

Reference should always be made to the Victaulic installation handbook or installation instructions of the product you are installing. Handbooks are included with each shipment of Victaulic products, providing complete installation and assembly data, and are available in PDF format on our website at www.victaulic.com.

Warranty

Refer to the Warranty section of the current Price List or contact Victaulic for details.

Trademarks

Victaulic and all other Victaulic marks are the trademarks or registered trademarks of Victaulic Company, and/or its affiliated entities, in the U.S. and/or other countries.