

In-Place OGS-200 Roll Grooving Tool

Model RG1200



1.0 PRODUCT DESCRIPTION

Grooving Capability:

- 2 – 6"/DN50 – DN150

Application:

- Manual in-place hand grooving tool
- Designed to provide an OGS-200 roll groove in Schedules 40 and 80 carbon steel pipe

Performance:

Tool Ratings — Maximum Pipe Size and Wall Thickness Capacity		Pipe Size inches DN				
		2 50	2½	3 80	4 100	6 150
Model	Pipe Material	Sch. 40 – 80 3.91 – 7.62 mm			Sch. 40 6.02 – 7.11 mm	
RG1200	Carbon steel					

2.0 CERTIFICATION/LISTINGS

Manufactured by Victaulic Company

Product designed and manufactured under Victaulic's Quality Management System, as certified by LPCB in accordance with ISO 9001:2008

3.0 SPECIFICATIONS

Drive Requirements: Optional. Tool can be attached to a Ridgid™ 300 Power Drive

Power Requirements: None

ALWAYS REFER TO ANY NOTIFICATIONS AT THE END OF THIS DOCUMENT REGARDING PRODUCT INSTALLATION, MAINTENANCE OR SUPPORT.

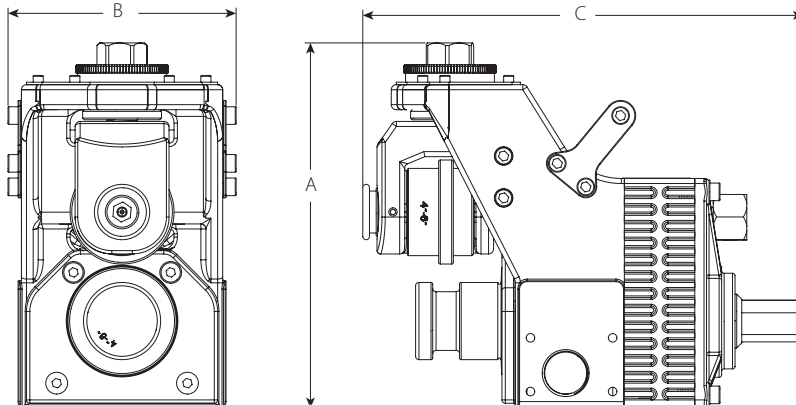
System No.		Location	
Submitted By		Date	

Spec Section		Paragraph	
Approved		Date	

4.0 ACCESSORIES/COMPONENTS

- One (1) RG1200 Roll Grooving Tool
- One (1) Adjustable Ratchet with Swivel Handle
- One (1) Upper Roll for 2- 3 inch pipe (attached to tool)
- One (1) Upper Roll for 4 - 6 inch pipe
- One (1) Lower Roll for 2 – 3 inch pipe
- One (1) Lower Roll for 4 – 6 inch pipe
- One (1) Power Drive Adapter
- Two (2) Support Arms
- Hex Keys (3 mm and 8 mm)
- One (1) Go/No-Go Groove Diameter Cable
- One (1) Groove Confirmation Gauge Set
- Ten (10) Shear Pins
- Two (2) Operating and Maintenance Instructions Manuals

5.0 DIMENSIONS



Dimensions			Weight
A Height inches mm	B Width inches mm	C Depth inches mm	Approximate (Each) lb kg
8.575 217.8	5.09 129.3	10.35 263.0	27 12.6

NOTE

- The RG1200 requires 7”/175 mm of 360 degree space for rotation around the pipe.

ALWAYS REFER TO ANY NOTIFICATIONS AT THE END OF THIS DOCUMENT REGARDING PRODUCT INSTALLATION, MAINTENANCE OR SUPPORT.

System No.		Location	
Submitted By		Date	

Spec Section		Paragraph	
Approved		Date	

6.0 NOTIFICATIONS

WARNING



- Read and understand all instructions in the RG1200 Operating and Maintenance Manual.
- Wear safety glasses, hard hat, foot protection, and hearing protection when working around the tool.
- Failure to follow these instructions may cause improper product assembly and joint failure, resulting in serious personal injury and property damage.

Failure to follow all instructions and warnings could result in death or serious personal injury and property damage.

7.0 REFERENCE MATERIALS

[24.01: Pipe Preparation Tool Specifications](#)

[25.12: Victaulic OGS-200 Roll Groove Specifications](#)

[TM-RG1200: Operating and Maintenance Instructions Manual](#)

User Responsibility for Product Selection and Suitability

Each user bears final responsibility for making a determination as to the suitability of Victaulic products for a particular end-use application, in accordance with industry standards and project specifications, as well as Victaulic performance, maintenance, safety, and warning instructions. Nothing in this or any other document, nor any verbal recommendation, advice, or opinion from any Victaulic employee, shall be deemed to alter, vary, supersede, or waive any provision of Victaulic Company's standard conditions of sale, installation guide, or this disclaimer.

Intellectual Property Rights

No statement contained herein concerning a possible or suggested use of any material, product, service, or design is intended, or should be construed, to grant any license under any patent or other intellectual property right of Victaulic or any of its subsidiaries or affiliates covering such use or design, or as a recommendation for the use of such material, product, service, or design in the infringement of any patent or other intellectual property right. The terms "Patented" or "Patent Pending" refer to design or utility patents or patent applications for articles and/or methods of use in the United States and/or other countries.

Note

This product shall be manufactured by Victaulic or to Victaulic specifications. All products to be installed in accordance with current Victaulic installation/assembly instructions. Victaulic reserves the right to change product specifications, designs and standard equipment without notice and without incurring obligations.

Installation

Reference should always be made to the Victaulic installation handbook or installation instructions of the product you are installing. Handbooks are included with each shipment of Victaulic products, providing complete installation and assembly data, and are available in PDF format on our website at www.victaulic.com.

Warranty

Refer to the Warranty section of the current Price List or contact Victaulic for details.

Trademarks

Victaulic and all other Victaulic marks are the trademarks or registered trademarks of Victaulic Company, and/or its affiliated entities, in the U.S. and/or other countries.