

# AquaFlex® Series AQC Flexible Sprinkler Fitting for Clean Room Installations Order Form

This form must be filled out completely with each order and sent along with your purchase order. Please FAX to Customer Care – 877-766-9769.

Bill To:

Company Name	
Address	
State	Zip Code
Phone No.	Email
Fax No.	

Ship To:

Order No.	Date
Company Name	
Address	
State	Zip Code
Tag	

Quantity (as specified below):  If units of different specification are required, please attach additional form(s) with their specification(s) separately.

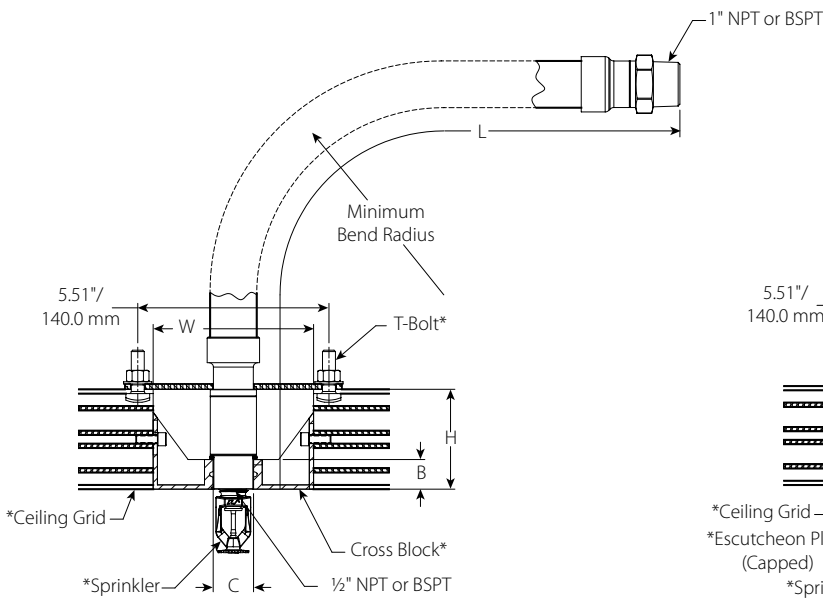
**Step 1:** Specify Ceiling Manufacturer  and Ceiling Model

**Step 2:** Select System Type

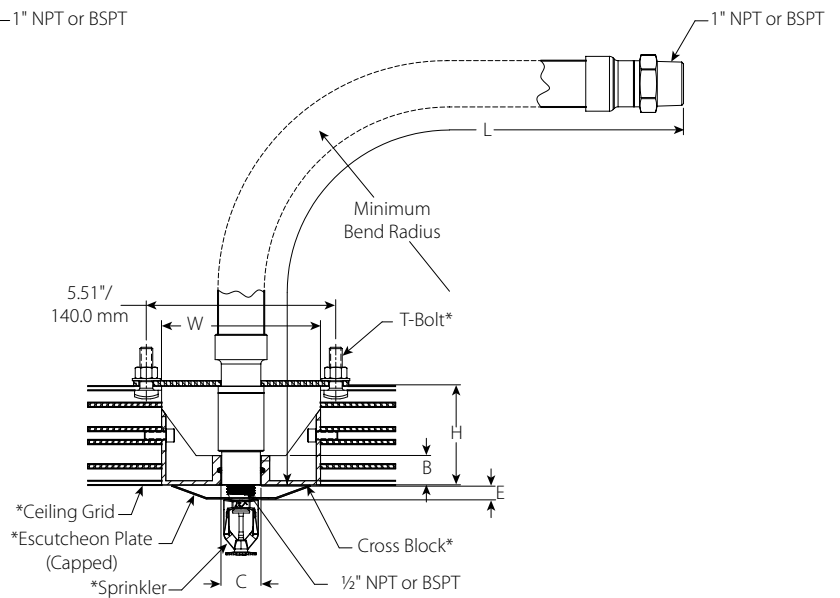
System without sprinkler cover plate (see figure 1)  System with sprinkler cover plate (see figure 2)

**Step 3:** Provide values in table below for each AquaFlex Style AQC flexible fitting configuration as required.

**Fig.1** Pendant installation without escutcheon plates.



**Fig.2** Pendant installation with escutcheon plates.



\*Typical ceiling grid shown. Items not provided with Series AQC

L	Total Hose Length	
W	Width of Cross Block	
H	Height of Ceiling Grid	
B	Height of Cross Block	
C	Diameter of Cross Block	
E	Victaulic escutcheon plate	0.5"/12.7 mm

NOTE Specified systems DO NOT include escutcheon plates or sprinklers. These items must be ordered separately from Victaulic. See current Victaulic Sprinkler Price List or contact Customer Care.

For complete contact information, visit [www.victaulic.com](http://www.victaulic.com)

SF-34 6081 REV A UPDATED 3/2010

VICTAULIC IS A REGISTERED TRADEMARK OF VICTAULIC COMPANY. © 2010 VICTAULIC COMPANY. ALL RIGHTS RESERVED.

REV\_A

