



1.0 PRODUCT DESCRIPTION

- Designed specifically for any application where a one-piece manufactured header or manifold is needed to serve as a central connection for distributing a fluid supply in a piping system.
- All-in-one assembly reduces installation and handling.
- Used in conjunction with Victaulic grooved end products.
- *Vic-Headers* are supplied with roll grooved ends:
 - Up to 12"/DN300 - Original Groove System (OGS) (Traditional Victaulic groove).
 - 14"/DN350 and above - Advanced Groove System (AGS).
- Pressure ratings conform to the rating of adjoining couplings.

2.0 CERTIFICATION/LISTINGS

Product designed and manufactured under Victaulic's Quality Management System, as certified in accordance with ISO 9001:2008.

3.0 SPECIFICATIONS – MATERIAL

Steel: (specify choice)

¾ – 4"/DN20 – DN100: Carbon steel, standard weight, conforming to ASTM A53, Type F.
 5 – 24"/DN125 – DN600: Carbon steel, standard weight, conforming to ASTM A53, Type E, Grade B.
 Optional: Contact Victaulic with your requirements.

Fitting Coating: (specify choice)

Standard: Orange enamel.
 Optional: Please list your optional requirements in the box below, and contact Victaulic for availability and pricing.

ALWAYS REFER TO ANY NOTIFICATIONS AT THE END OF THIS DOCUMENT REGARDING PRODUCT INSTALLATION, MAINTENANCE OR SUPPORT.

System No.		Location	
Submitted By		Date	

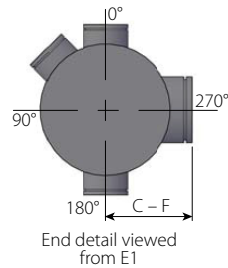
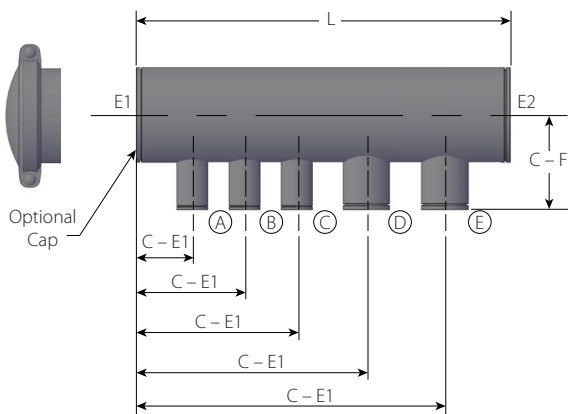
Spec Section		Paragraph	
Approved		Date	

4.0 DIMENSIONAL DETAILS FOR QUOTE

No. 26 Vic Outlet Header

Please complete the form below and reference the available pricing to order your standard No. 26 Vic Outlet Header. For sizes and pricing not listed, please contact Victaulic's Engineering Products department at EP@victaulic.com.

Project Name:		Project Location:	
Contractor Name:			
Contractor Phone Number:		Contractor E-Mail Address:	
Submitted By:		Contractor Signature: (Dimensional Approval for Fabrication)	



End Details:

Original Groove System - OGS
Advanced Groove System - AGS

Instrumentation/vent taps are available in the following NPT sizes: 3/4", 1", 1 1/4", 1 1/2" and 2". To include on your No. 26 Vic Outlet Header, indicate in the chart below.

Header Details		Outlet Details	A	B	C	D	E	F
Header Tag ID		Outlet Nominal Pipe Size						
Qty.		Center to End (C-E1)						
Overall Length (L)		Center to Face (C-F)						
End One Size (E1)		Orientation (0-359°) As Viewed From End E1						
End Two Size (E2)		NPT Tap Size						
Cap Location								
Header Price								

Header Details		Outlet Details	A	B	C	D	E	F
Header Tag ID		Outlet Nominal Pipe Size						
Qty.		Center to End (C-E1)						
Overall Length (L)		Center to Face (C-F)						
End One Size (E1)		Orientation (0-359°) As Viewed From End E1						
End Two Size (E2)		NPT Tap Size						
Cap Location								
Header Price								

NOTE

- The No. 26 Vic Outlet Header is available with an optional Style 107N/W07 Rigid Coupling and No. 60/No. W60 Cap. Refer to PL2016-Main US General Price List for coupling and cap pricing. Coupling and cap will be sized as per the connection size as indicated on the No. 26 Vic Outlet Header.

Subtotal Price of Page	
-------------------------------	--

4.0 DIMENSIONAL DETAILS FOR QUOTE (Continued)

Header Details		Outlet Details	A	B	C	D	E	F
Header Tag ID		Outlet Nominal Pipe Size						
Qty.		Center to End (C-E1)						
Overall Length (L)		Center to Face (C-F)						
End One Size (E1)		Orientation (0-359°) As Viewed From End E1						
End Two Size (E2)		NPT Tap Size						
Cap Location								
Header Price								

Header Details		Outlet Details	A	B	C	D	E	F
Header Tag ID		Outlet Nominal Pipe Size						
Qty.		Center to End (C-E1)						
Overall Length (L)		Center to Face (C-F)						
End One Size (E1)		Orientation (0-359°) As Viewed From End E1						
End Two Size (E2)		NPT Tap Size						
Cap Location								
Header Price								

Header Details		Outlet Details	A	B	C	D	E	F
Header Tag ID		Outlet Nominal Pipe Size						
Qty.		Center to End (C-E1)						
Overall Length (L)		Center to Face (C-F)						
End One Size (E1)		Orientation (0-359°) As Viewed From End E1						
End Two Size (E2)		NPT Tap Size						
Cap Location								
Header Price								

Header Details		Outlet Details	A	B	C	D	E	F
Header Tag ID		Outlet Nominal Pipe Size						
Qty.		Center to End (C-E1)						
Overall Length (L)		Center to Face (C-F)						
End One Size (E1)		Orientation (0-359°) As Viewed From End E1						
End Two Size (E2)		NPT Tap Size						
Cap Location								
Header Price								

NOTE

- The No. 26 Vic Outlet Header is available with an optional Style 107N/W07 Rigid Coupling and No. 60/No. W60 Cap. Refer to PL2016-Main US General Price List for coupling and cap pricing. Coupling and cap will be sized as per the connection size as indicated on the No. 26 Vic Outlet Header.

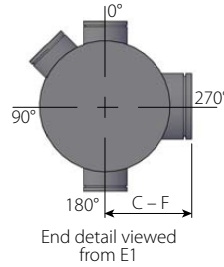
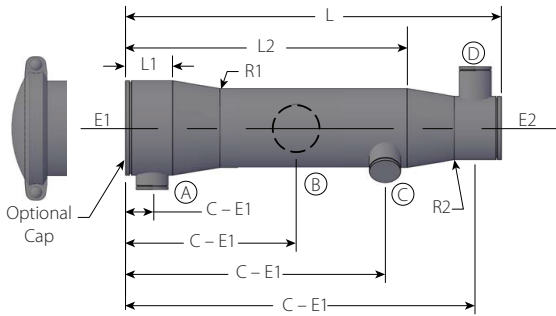
Subtotal Price of Page	
-------------------------------	--

4.1 DIMENSIONAL DETAILS FOR QUOTE

No. 57 Vic Concentric Reducing Header

Please complete the form below and reference the available pricing to order your standard No. 57 Vic Concentric Reducing Header. For sizes and pricing not listed, please contact Victaulic's Engineering Products department at EP@victaulic.com.

Project Name:		Project Location:	
Contractor Name:			
Contractor Phone Number:		Contractor E-Mail Address:	
Submitted By:		Contractor Signature: (Dimensional Approval for Fabrication)	



End Details:

Original Groove System - OGS
Advanced Groove System - AGS

Instrumentation/vent taps are available in the following NPT sizes: 3/4", 1", 1 1/4", 1 1/2" and 2". To include on your No. 57 Vic Concentric Reducing Header, indicate in the chart below.

Header Details			Outlet Details	A	B	C	D	E	F
Header Tag ID		Reductions	Outlet Nominal Pipe Size						
Qty.		Size (R1)	Center to End (C-E1)						
Overall Length (L)		Length (L1)	Center to Face (C-F)						
End One Size (E1)		Size (R2)	Orientation (0-359°) As Viewed From End E1						
End Two Size (E2)		Length (L2)	NPT Tap Size						
Cap Location		Size (R3)							
Header Price		Length (L3)							

Header Details			Outlet Details	A	B	C	D	E	F
Header Tag ID		Reductions	Outlet Nominal Pipe Size						
Qty.		Size (R1)	Center to End (C-E1)						
Overall Length (L)		Length (L1)	Center to Face (C-F)						
End One Size (E1)		Size (R2)	Orientation (0-359°) As Viewed From End E1						
End Two Size (E2)		Length (L2)	NPT Tap Size						
Cap Location		Size (R3)							
Header Price		Length (L3)							

NOTE

- The No. 57 Vic Concentric Reducing Header is available with an optional Style 107N/W07 Rigid Coupling and No. 60/No. W60 Cap. Refer to PL2016-Main US General Price List for coupling and cap pricing. Coupling and cap will be sized as per the connection size as indicated on the No. 57 Vic Concentric Reducing Header.

Subtotal Price of Page	
------------------------	--

4.1 DIMENSIONAL DETAILS FOR QUOTE (Continued)

Header Details			Outlet Details	A	B	C	D	E	F
Header Tag ID		Reductions	Outlet Nominal Pipe Size						
Qty.		Size (R1)	Center to End (C-E1)						
Overall Length (L)		Length (L1)	Center to Face (C-F)						
End One Size (E1)		Size (R2)	Orientation (0-359°) As Viewed From End E1						
End Two Size (E2)		Length (L2)	NPT Tap Size						
Cap Location		Size (R3)							
Header Price		Length (L3)							

Header Details			Outlet Details	A	B	C	D	E	F
Header Tag ID		Reductions	Outlet Nominal Pipe Size						
Qty.		Size (R1)	Center to End (C-E1)						
Overall Length (L)		Length (L1)	Center to Face (C-F)						
End One Size (E1)		Size (R2)	Orientation (0-359°) As Viewed From End E1						
End Two Size (E2)		Length (L2)	NPT Tap Size						
Cap Location		Size (R3)							
Header Price		Length (L3)							

Header Details			Outlet Details	A	B	C	D	E	F
Header Tag ID		Reductions	Outlet Nominal Pipe Size						
Qty.		Size (R1)	Center to End (C-E1)						
Overall Length (L)		Length (L1)	Center to Face (C-F)						
End One Size (E1)		Size (R2)	Orientation (0-359°) As Viewed From End E1						
End Two Size (E2)		Length (L2)	NPT Tap Size						
Cap Location		Size (R3)							
Header Price		Length (L3)							

Header Details			Outlet Details	A	B	C	D	E	F
Header Tag ID		Reductions	Outlet Nominal Pipe Size						
Qty.		Size (R1)	Center to End (C-E1)						
Overall Length (L)		Length (L1)	Center to Face (C-F)						
End One Size (E1)		Size (R2)	Orientation (0-359°) As Viewed From End E1						
End Two Size (E2)		Length (L2)	NPT Tap Size						
Cap Location		Size (R3)							
Header Price		Length (L3)							

NOTE

- The No. 57 Vic Concentric Reducing Header is available with an optional Style 107N/W07 Rigid Coupling and No. 60/No. W60 Cap. Refer to PL2016-Main US General Price List for coupling and cap pricing. Coupling and cap will be sized as per the connection size as indicated on the No. 57 Vic Concentric Reducing Header.

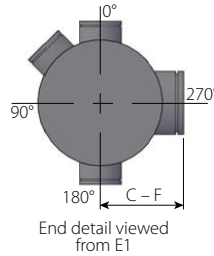
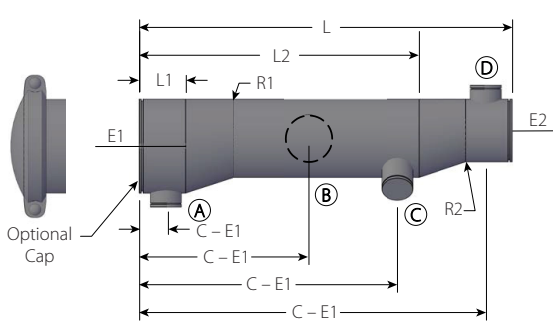
Subtotal Price of Page	
-------------------------------	--

4.2 DIMENSIONAL DETAILS FOR QUOTE

No. 58 Vic Eccentric Reducing Header

Please complete the form below and reference the available pricing to order your standard No. 58 Vic Eccentric Reducing Header. For sizes and pricing not listed, please contact Victaulic's Engineering Products department at EP@victaulic.com.

Project Name:		Project Location:	
Contractor Name:			
Contractor Phone Number:		Contractor E-Mail Address:	
Submitted By:		Contractor Signature: (Dimensional Approval for Fabrication)	



End Details:
Original Groove System - OGS
Advanced Groove System - AGS

Instrumentation/vent taps are available in the following NPT sizes: 3/4", 1", 1 1/4", 1 1/2" and 2". To include on your No. 58 Vic Eccentric Reducing Header, indicate in the chart below.

Header Details			Outlet Details	A	B	C	D	E	F
Header Tag ID	Reductions		Outlet Nominal Pipe Size						
Qty.	Size (R1)		Center to End (C-E1)						
Overall Length (L)	Length (L1)		Center to Face (C-F)						
End One Size (E1)	Size (R2)		Orientation (0-359°) As Viewed From End E1						
End Two Size (E2)	Length (L2)		NPT Tap Size						
Cap Location	Size (R3)		Reducer Details	R1	R2	R3	R4	R5	R6
Header Price	Length (L3)		Orientation (0-359°) of Flat Side of Eccentric Reducer As Viewed From End E1						

Header Details			Outlet Details	A	B	C	D	E	F
Header Tag ID	Reductions		Outlet Nominal Pipe Size						
Qty.	Size (R1)		Center to End (C-E1)						
Overall Length (L)	Length (L1)		Center to Face (C-F)						
End One Size (E1)	Size (R2)		Orientation (0-359°) As Viewed From End E1						
End Two Size (E2)	Length (L2)		NPT Tap Size						
Cap Location	Size (R3)		Reducer Details	R1	R2	R3	R4	R5	R6
Header Price	Length (L3)		Orientation (0-359°) of Flat Side of Eccentric Reducer As Viewed From End E1						

NOTE

- The No. 58 Vic Eccentric Reducing Header is available with an optional Style 107N/W07 Rigid Coupling and No. 60/No. W60 Cap. Refer to PL2016-Main US General Price List for coupling and cap pricing. Coupling and cap will be sized as per the connection size as indicated on the No. 58 Vic Eccentric Reducing Header.

Subtotal Price of Page	
-------------------------------	--

4.2 DIMENSIONAL DETAILS FOR QUOTE (Continued)

Header Details			Outlet Details	A	B	C	D	E	F
Header Tag ID		Reductions	Outlet Nominal Pipe Size						
Qty.		Size (R1)	Center to End (C-E1)						
Overall Length (L)		Length (L1)	Center to Face (C-F)						
End One Size (E1)		Size (R2)	Orientation (0-359°) As Viewed From End E1						
End Two Size (E2)		Length (L2)	NPT Tap Size						
Cap Location		Size (R3)	Reducer Details	R1	R2	R3	R4	R5	R6
Header Price		Length (L3)	Orientation (0-359°) of Flat Side of Eccentric Reducer As Viewed From End E1						

Header Details			Outlet Details	A	B	C	D	E	F
Header Tag ID		Reductions	Outlet Nominal Pipe Size						
Qty.		Size (R1)	Center to End (C-E1)						
Overall Length (L)		Length (L1)	Center to Face (C-F)						
End One Size (E1)		Size (R2)	Orientation (0-359°) As Viewed From End E1						
End Two Size (E2)		Length (L2)	NPT Tap Size						
Cap Location		Size (R3)	Reducer Details	R1	R2	R3	R4	R5	R6
Header Price		Length (L3)	Orientation (0-359°) of Flat Side of Eccentric Reducer As Viewed From End E1						

Header Details			Outlet Details	A	B	C	D	E	F
Header Tag ID		Reductions	Outlet Nominal Pipe Size						
Qty.		Size (R1)	Center to End (C-E1)						
Overall Length (L)		Length (L1)	Center to Face (C-F)						
End One Size (E1)		Size (R2)	Orientation (0-359°) As Viewed From End E1						
End Two Size (E2)		Length (L2)	NPT Tap Size						
Cap Location		Size (R3)	Reducer Details	R1	R2	R3	R4	R5	R6
Header Price		Length (L3)	Orientation (0-359°) of Flat Side of Eccentric Reducer As Viewed From End E1						

NOTE

- The No. 58 Vic Eccentric Reducing Header is available with an optional Style 107N/W07 Rigid Coupling and No. 60/No. W60 Cap. Refer to PL2016-Main US General Price List for coupling and cap pricing. Coupling and cap will be sized as per the connection size as indicated on the No. 58 Vic Eccentric Reducing Header.

Subtotal Price of Page	
------------------------	--

5.0 PERFORMANCE

The selected coupling, size, wall thickness and material will determine the pressure performance of the *Vic-Header*.

6.0 NOTIFICATIONS

⚠ WARNING



- Read and understand all instructions before attempting to install, remove, adjust, or maintain any Victaulic piping products.
- Depressurize and drain the piping system before attempting to install, remove, adjust, or maintain any Victaulic piping products.
- Wear safety glasses, hardhat, and foot protection.

Failure to follow these instructions could result in death or serious personal injury and property damage.

7.0 REFERENCE MATERIALS

[29.01: Victaulic Terms and Conditions/Warranty](#)

[I-100: Field Installation Handbook](#)

User Responsibility for Product Selection and Suitability

Each user bears final responsibility for making a determination as to the suitability of Victaulic products for a particular end-use application, in accordance with industry standards and project specifications, and the applicable building codes and related regulations as well as Victaulic performance, maintenance, safety, and warning instructions. Nothing in this or any other document, nor any verbal recommendation, advice, or opinion from any Victaulic employee, shall be deemed to alter, vary, supersede, or waive any provision of Victaulic Company's standard conditions of sale, installation guide, or this disclaimer.

Intellectual Property Rights

No statement contained herein concerning a possible or suggested use of any material, product, service, or design is intended, or should be construed, to grant any license under any patent or other intellectual property right of Victaulic or any of its subsidiaries or affiliates covering such use or design, or as a recommendation for the use of such material, product, service, or design in the infringement of any patent or other intellectual property right. The terms "Patented" or "Patent Pending" refer to design or utility patents or patent applications for articles and/or methods of use in the United States and/or other countries.

Note

This product shall be manufactured by Victaulic or to Victaulic specifications. All products to be installed in accordance with current Victaulic installation/assembly instructions. Victaulic reserves the right to change product specifications, designs and standard equipment without notice and without incurring obligations.

Installation

Reference should always be made to the Victaulic installation handbook or installation instructions of the product you are installing. Handbooks are included with each shipment of Victaulic products, providing complete installation and assembly data, and are available in PDF format on our website at www.victaulic.com.

Warranty

Refer to the Warranty section of the current Price List or contact Victaulic for details.

Trademarks

Victaulic and all other Victaulic marks are the trademarks or registered trademarks of Victaulic Company, and/or its affiliated entities, in the U.S. and/or other countries.