

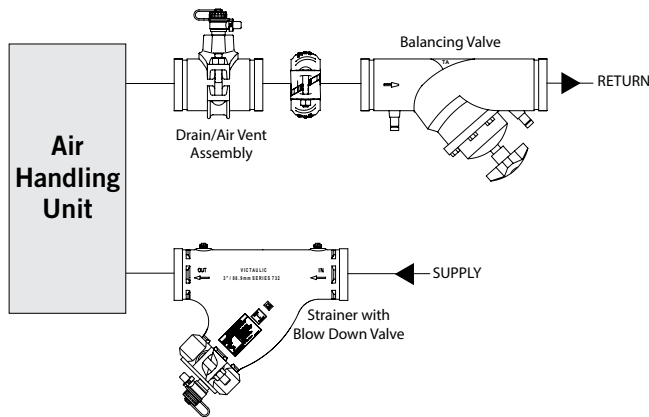
Koil-Kit™ Coil Pack

(2½"/65 mm, 3"/80 mm, 4"/100 mm, 6"/150 mm sizes)

Series 79C/79D



08.35



Series 79C/79D Koil-Kit Coil Pack
2½"/65 mm – 6"/150 mm

Material Specifications:

Series 732 Wye Type Vic-Strainer

Refer to publication 09.03.

Style 925 Drain/Air Vent Assembly

Consists of an assembly of products, including those listed below. Refer to the corresponding product submittals for the products listed below.

2 ½ – 3" / 65 – 80mm:

Style 920/920N Mechanical Tee Outlet Assembly, Threaded with EPDM Option

Refer to publication 11.02

4 – 6" / 100 – 150mm:

Style 923 Vic-Let Assembly with EPDM Option

Refer to publication 11.05

No. 40/43 Adapter Nipple Fittings

Refer to publication 07.01.

Product Description:

The Series 79C Victaulic KOIL-KIT Coil Packs consist of the Series 732 Strainer with a Blow Down Drain Valve, and a TA balancing valve. For information on TA balancing valves offered by Victaulic, refer to publication 08.16. The Series 79D includes the option of adding a Style 925 Drain/Air Vent Assembly included with the Victaulic KOIL-KIT Coil Pack. The Style 925 is provided with a Style 107H QuickVic® Rigid Coupling which is used for connecting the Style 925 to the TA balancing valve.

Victaulic KOIL-KIT Coil Packs provide a simplified, quality air handling unit installation while ensuring optimal hydronic system design requirements are met. The Victaulic KOIL-KIT Coil Packs are suitable for a variety of hot and cold water applications including treated and untreated water systems.

Job/Owner

System No.	
Location	

Contractor

Submitted By	
Date	

Engineer

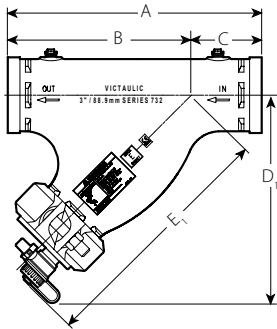
Spec Section	
Paragraph	
Approved	
Date	



Dimensions:

Series 732

Wye Type Vic-Strainer with
Blow Down Valve

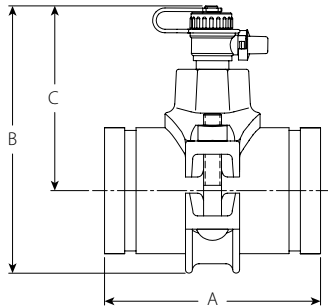


Nominal Size inches mm	Actual Outside Diameter inches mm	Maximum Work Pressure psi kPa	Dimensions					Approx. Weight Each lbs. kg
			End to End A inches mm	B inches mm	C inches mm	D1 inches mm	E1 inches mm	
2½ 65	2.875 73.0	300 2065	10.75 273	7.75 197	3.00 76	9.75 248	11.60 295	14.0 6.4
3 80	3.500 88.9	300 2065	11.75 299	8.50 216	3.25 83	10.40 264	12.15 309	20.0 9.1
4 100	4.500 114.3	300 2065	14.25 362	10.50 267	3.75 95	12.22 310	14.32 364	32.0 14.5
6 150	6.625 168.3	300 2065	18.50 470	14.00 356	4.50 114	15.50 394	17.95 456	72.0 32.7

Refer to publications 09.03 for additional technical information regarding the Series 732 Wye Type Vic-Strainer.

Style 925

Drain/Air Vent Assembly



Nominal Size inches mm	Actual Outside Diameter inches mm	Dimensions			Approx. Weight Each lbs. kg
		End to End A inches mm	B inches mm	C inches mm	
2½ 65	2.875 73.0	6.0 152	6.33 161	4.47 114	6.1 2.8
3 80	3.500 88.9	6.0 152	7.06 179	4.78 121	7.4 3.4
4 100	4.500 114.3	6.0 152	8.96 228	6.71 170	7.5 3.4
6 150	6.625 168.3	6.0 152	11.04 280	7.73 196	11.6 5.3

Typical Specifications:

Series 79C KOIL-KIT™ Coil Pack (2½"/65 mm, 3"/80 mm, 4"/100 mm, 6"/150 mm sizes): Shall include the following components: Series 732 with blow down drain valve, and a TA balancing valve (Series 789) sized to flow. The Series 732 with blow down drain valve shall be provided by one manufacturer, Victaulic. The TA Series 789 shall be manufactured by TA and provided by Victaulic.

Note: The pressure rating of a KOIL-KIT Coil Pack is contingent upon the pressure rating of the balancing valve. Please refer to submittal 08.16 for balancing valve information and ratings.

Series 79D KOIL-KIT™ Coil Pack with ATC Valve (2½"/65 mm, 3"/80 mm, 4"/100 mm, 6"/150 mm sizes): Shall include the following components: Series 732 with blow down drain valve, Style 925, and a TA balancing valve (Series 789) sized to flow. Series 732 with blow down drain valve and Style 925 shall be provided by one manufacturer, Victaulic. The TA Series 789 shall be manufactured by TA and provided by Victaulic. Note: The pressure rating of a KOIL-KIT Coil Pack is contingent upon the pressure rating of the balancing valve. Please refer to submittal 08.16 for balancing valve information and ratings.

Installation

Reference should always be made to the [I-100 Victaulic Field Installation Handbook](#) for the product you are installing. Handbooks are included with each shipment of Victaulic products for complete installation and assembly data, and are available in PDF format on our website at www.victaulic.com.

Warranty

Refer to the Warranty section of the current Price List or contact Victaulic for details.

Note

This product shall be manufactured by Victaulic or to Victaulic specifications. All products to be installed in accordance with current Victaulic installation/assembly instructions. Victaulic reserves the right to change product specifications, designs and standard equipment without notice and without incurring obligations.

Trademarks

Victaulic® is a registered trademark of Victaulic Company.