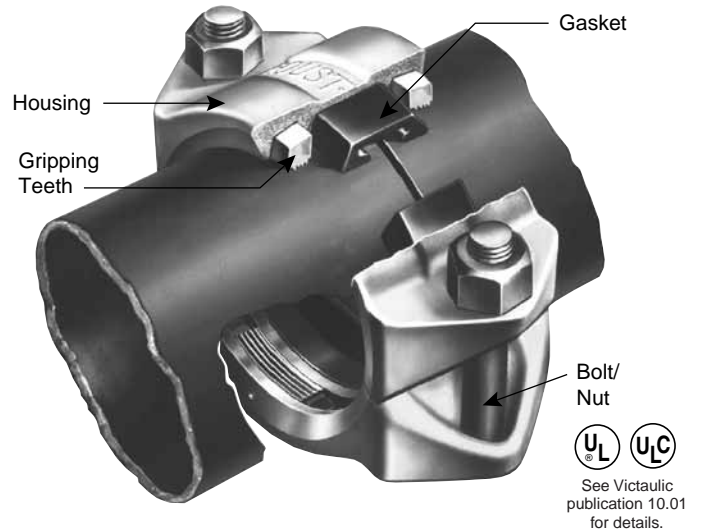


# Plain End Piping System for Steel Pipe

## PRODUCT DESCRIPTION

No special pipe end preparation is required. Cut squarely and couple. Victaulic plain end couplings can also be used with beveled end pipe. The Victaulic plain end piping method is ideal for maintenance and repairs as well as new systems such as roof drains, slurries, tailings and oilfield services. Roust-A-Bout® couplings and plain end fittings are UL and ULC Listed for fire protection services.

Victaulic plain end couplings are primarily designed for use on standard weight steel pipe (Schedule 40), but may be used on lightwall steel or other metallic pipe such as aluminum or stainless steel. They are not intended for use on plastic pipe, plastic-coated pipe or brittle pipe, such as asbestos cement or cast iron. Nor are they intended for use on pipe with a surface hardness greater than 150 Brinell.



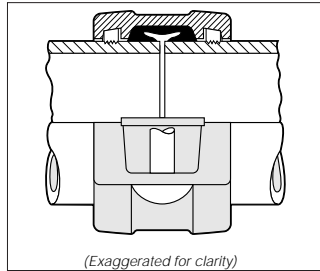
**⚠ WARNING**

Victaulic grooved end fittings must not be used with Victaulic plain end couplings.



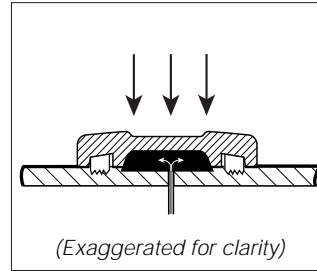
### Lower installed cost

Fast, easy assembly • No special pipe end preparation  
• Reduced downtime for maintenance



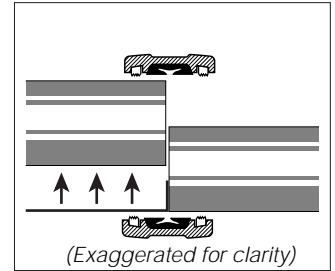
### Positive Pipe Joining

Integral grips or jaws provide positive engagement of pipe when torqued to specifications  
• Suited for pressures up to 750 psi/5100 kPa depending upon size and pipe wall thickness.



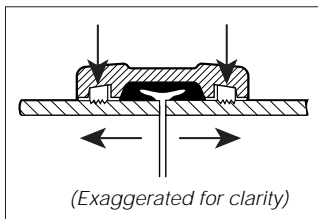
### Reliable and leak-free

Pressure responsive gasket design seals under pressure or vacuum • Standard gaskets cover most services • Special gaskets available for many chemical services



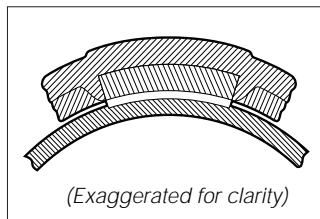
### Union at every joint

Permits easy access to existing lines • Removal of only two couplings permits removal of pipe, valves or equipment  
• Permits rotation of pipe



### Roust-A-Bout jaws rigid to grip pipe

Set at right angle to the pipe for gripping efficiency



### Jaws conform to pipe

Roust-A-Bout jaws are circumferentially curved to match pipe contour • Provide greater pipe contact for positive grip • Pinned into housing to prevent loss before installation



### Plain end fittings available

Ductile iron cast fittings provide maximum strength  
• Smooth inner walls, with full flow and full wall thickness for durability

---

## PIPE PREPARATION

Pipe shall be free from indentations, projections, weld-bead or roll marks from the end of the pipe, back  $1\frac{1}{2}$ "/38 mm to provide a leak-tight seal for the gasket.

Pipe ends (plain or beveled end) must be square cut as measured from a true square line with the maximum allowable tolerance: 0.03"/0,8 mm for 1 -  $3\frac{1}{2}$ "/25 - 90 mm; 0.045"/1,2 mm for 4 - 6"/100 - 150 mm; and 0.06"/1,5 mm for 8"/200 mm and larger sizes.

The nominal outside diameter of pipe should not vary more than  $\pm 1\%$  for up to  $2\frac{1}{2}$ "/65 mm;  $+1\%/-0.03$ "/0,8 mm for 3 - 5"/80 - 125 mm; and  $+0.06\%/-0.03$ "/1,8 - 0,8 mm for 6"/150 mm and up.

Pipe ends must be clearly marked  $1$ "/25 mm from the end as a guide for proper centering the gasket over the pipe ends.

Consult latest Victaulic Field Assembly and Installation Instruction Pocket Handbook I-100 for step-by-step assembly instructions.