

Victaulic **AGS**™ Tee Type Strainer Series W730



1.0 PRODUCT DESCRIPTION

Available Sizes:

- 14 – 24"/DN350 – DN600

Maximum Working Pressure:

- Up to 300 psi/2068 kPa/21 bar

Application:

- Provides straight-through flow for lower pressure drop

Pipe Material:

- Carbon steel

Pipe Preparation:

- Roll grooved in accordance with [publication 25.09](#): Advanced Groove System (AGS) Roll Groove Specifications.

2.0 CERTIFICATION/LISTINGS

Product designed and manufactured under the Victaulic Quality Management System, as certified by LPCB in accordance with ISO-9001:2015.

ALWAYS REFER TO ANY NOTIFICATIONS AT THE END OF THIS DOCUMENT REGARDING PRODUCT INSTALLATION, MAINTENANCE OR SUPPORT.

System No.		Location	
Submitted By		Date	

Spec Section		Paragraph	
Approved		Date	

3.0 SPECIFICATIONS – MATERIAL

Body (14 – 24"/DN350 – DN600):

- Segmentally welded carbon steel, ANSI standard wall thickness, conforming to ASTM A53, Type E or S, Gr. B
- Optional: Zinc electroplated

End Cap (14 – 24"/DN350 – DN600):

- Carbon steel T-bolt hinged closure, Class 300-TB
- Optional: Zinc electroplated

Basket: Stainless steel, Type 304, frame and mesh

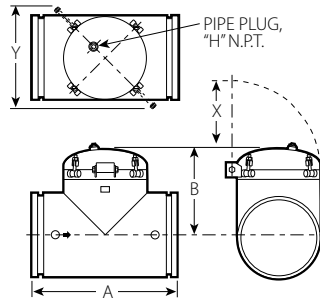
- **14 – 16"/DN350 – DN400:** 6 x 6 mesh (0.041" wire) with 0.126" opening
- **18 – 24"/DN450 – DN600:** 4 x 4 mesh (0.047" wire) with 0.203" opening
- Optional: Other mesh sizes and materials available, contact Victaulic for details

Magnets: Magnets, particularly for lubricating oil service applications and others can be added at the factory. Contact Victaulic for details.

Other: Special requirements can often be met. Contact Victaulic with specific requirements for recommendations, availability and delivery.

4.0 DIMENSIONS

Series W730 Tee Type Strainer



Size		Dimensions					Weight
Nominal inches DN	Actual Outside Diameter inches mm	A inches mm	B inches mm	X inches mm	Y inches mm	H inches mm	Approximate (Each) lb kg
14	14.000	22.00	17.63	12.00	17.70	2.00	300.0
DN350	355.6	559	448	305	450	51	136.1
16	16.000	24.00	19.06	12.75	20.50	2.00	350.0
DN400	406.4	610	484	324	521	51	158.8
18	18.000	31.00	23.56	14.50	23.30	2.00	400.0
DN450	457.0	787	598	368	592	51	181.4
20	20.000	34.50	26.12	16.00	25.50	2.00	565.0
DN500	508.0	876	663	406	648	51	256.3
24	24.000	40.00	30.18	19.13	29.00	2.00	830.0
DN600	610.0	1016	767	486	737	51	376.5

NOTE

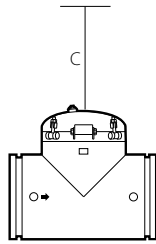
- Maximum differential pressure from inlet must not exceed 10 psi/69 kPa.

4.1 DIMENSIONS

Series W730 Tee Type Strainer

Assembly Clearance

Recommended Minimum Clearance Required to Remove Strainer Basket



Size		Strainer Basket Clearance ¹
Nominal inches DN	Actual Outside Diameter inches mm	"C" Dimension inches mm
14 DN350	14.000 355.6	28.00 711
16 DN400	16.000 406.4	30.00 762
18 DN450	18.000 457.0	35.00 889
20 DN500	20.000 508.0	38.00 965
24 DN600	24.000 610.0	44.00 1118

¹ Measurement is from the center line to the top of the basket during removal

5.0 PERFORMANCE

Series W730 Tee Type Strainer

Size		Maximum Working Pressure psi kPa
Nominal inches DN	Actual Outside Diameter inches mm	
14 DN350	14.000 355.6	300 2068
16 DN400	16.000 406.4	300 2068
18 DN450	18.000 457.0	300 2068
20 DN500	20.000 508.0	300 2068
24 DN600	24.000 610.0	300 2068

5.1 PERFORMANCE

C_v values for flow of water at +60°F/+16°C are shown in the table below.

Formulas for C_v Values:

$$\Delta P = \frac{Q^2}{C_v^2}$$

$$Q = C_v \times \sqrt{\Delta P}$$

Where:

Q = Flow (GPM)

ΔP = Pressure Drop (psi)

C_v = Flow Coefficient

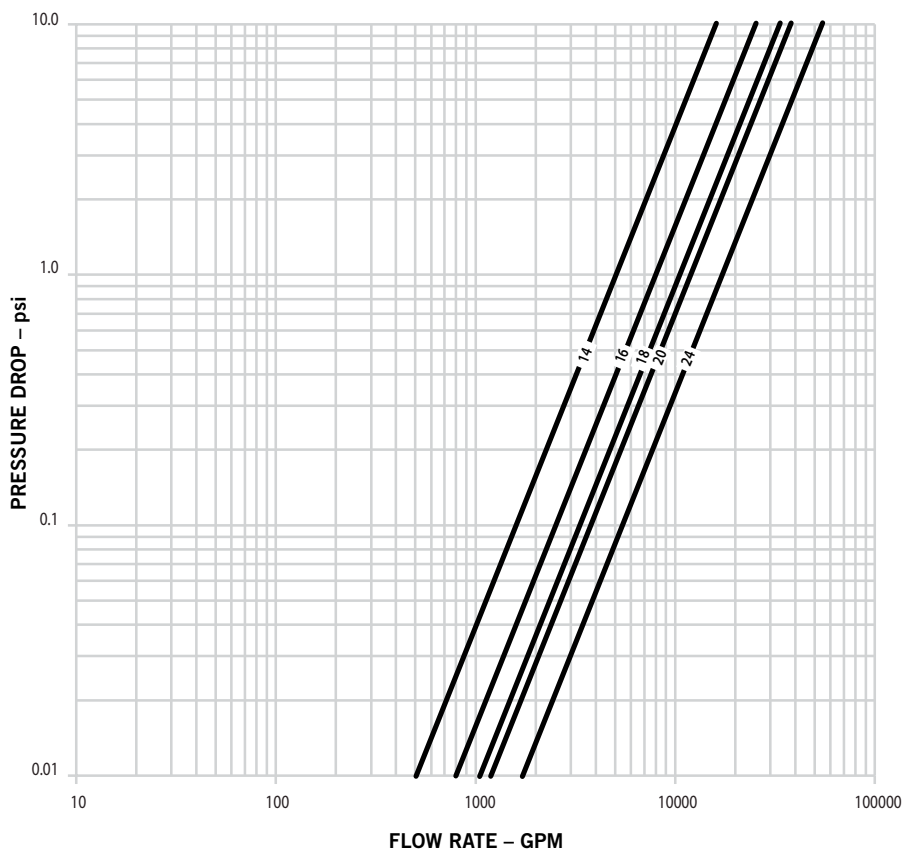
Size		C _v Values
Nominal inches DN	Actual Outside Diameter inches mm	
14 DN350	14.000 355.6	5050
16 DN400	16.000 406.4	8000
18 DN450	18.000 457.0	10540
20 DN500	20.000 508.0	11960
24 DN600	24.000 610.0	17222

Flow Characteristics

Flow characteristics are charted to the right and are based on standard 6 mesh in 14 – 16"/DN350 – DN400 sizes and 4 mesh in 18 – 24"/DN450 – DN600 sizes.

Flow may vary from these figures.

The chart below expresses the flow of water at 65°F/18°C through a clean strainer.



6.0 NOTIFICATIONS

WARNING



- Read and understand all instructions before attempting to install, remove, adjust, or maintain any Victaulic piping products.
- Always verify that the piping system has been completely depressurized and drained immediately prior to installation, removal, adjustment, or maintenance of any Victaulic products.
- Wear safety glasses, hardhat, and foot protection.

Failure to follow these instructions could result in death or serious personal injury and property damage.

WARNING

Victaulic AGS products use a patent-pending groove profile that requires the use of special AGS rolls. AGS products must not be used on pipe that has been grooved using standard grooving rolls.

Failure to use AGS products on AGS grooved pipe could result in serious personal injury, property damage, joint leakage or joint separation.

7.0 REFERENCE MATERIALS

[20.02: Victaulic® AGS Rigid Coupling Style W07](#)

[25.09: Advanced Groove System \(AGS\) Roll Groove Specifications](#)

[26.01: Victaulic Design Data](#)

[29.01: Victaulic Terms and Conditions of Sale](#)

[I-ENDCAP: Victaulic End Cap Installation Instructions](#)

User Responsibility for Product Selection and Suitability

Each user bears final responsibility for making a determination as to the suitability of Victaulic products for a particular end-use application, in accordance with industry standards and project specifications, and the applicable building codes and related regulations as well as Victaulic performance, maintenance, safety, and warning instructions. Nothing in this or any other document, nor any verbal recommendation, advice, or opinion from any Victaulic employee, shall be deemed to alter, vary, supersede, or waive any provision of Victaulic Company's standard conditions of sale, installation guide, or this disclaimer.

Intellectual Property Rights

No statement contained herein concerning a possible or suggested use of any material, product, service, or design is intended, or should be construed, to grant any license under any patent or other intellectual property right of Victaulic or any of its subsidiaries or affiliates covering such use or design, or as a recommendation for the use of such material, product, service, or design in the infringement of any patent or other intellectual property right. The terms "Patented" or "Patent Pending" refer to design or utility patents or patent applications for articles and/or methods of use in the United States and/or other countries.

Note

This product shall be manufactured by Victaulic or to Victaulic specifications. All products to be installed in accordance with current Victaulic installation/assembly instructions. Victaulic reserves the right to change product specifications, designs and standard equipment without notice and without incurring obligations.

Installation

Reference should always be made to the Victaulic installation handbook or installation instructions of the product you are installing. Handbooks are included with each shipment of Victaulic products, providing complete installation and assembly data, and are available in PDF format on our website at www.victaulic.com.

Warranty

Refer to the Warranty section of the current Price List or contact Victaulic for details.

Trademarks

Victaulic and all other Victaulic marks are the trademarks or registered trademarks of Victaulic Company, and/or its affiliated entities, in the U.S. and/or other countries.