

Victaulic® StrenghThin™ 100 Roll Groover

Model RG3600



1.0 PRODUCT DESCRIPTION

Grooving Capability

- DN50 – DN300/2 – 12" StrenghThin™ 100 Groove profile

Application

- Portable lightweight field groover
- Designed to groove DN50 – DN150/2 – 6", 1.6 – 2.7 mm wall thickness and DN200 – DN300/8 – 12", 2.0 – 4.5 mm wall thickness
- Supplied with StrenghThin™ 100 roll sets

Performance

Tool Ratings — Maximum Pipe Size Capacity		Pipe Size (DN)/Nominal Wall Thickness					
Model	Pipe Material	DN50	DN100	DN150	DN200	DN250	DN300
RG3600	Stainless Steel	1.6 - 2.7 mm			2.0 - 3.4 mm		

NOTES

- Optional roll set available for DN200 – DN300/8 – 12", 3.5 – 4.5 mm wall thickness.
- Designed exclusively for use on 1.4301/1.4307 (Type 304/304L) or 1.4401/1.4404 (Type 316/316L) stainless steel pipe per EN 10217-7.
- Integrated depth stop feature. No operator adjustment required.

2.0 CERTIFICATION/LISTINGS

Compliant with Machinery Directive 2006/42/EC

ALWAYS REFER TO ANY NOTIFICATIONS AT THE END OF THIS DOCUMENT REGARDING PRODUCT INSTALLATION, MAINTENANCE OR SUPPORT.

System No.		Location	
Submitted By		Date	

Spec Section		Paragraph	
Approved		Date	

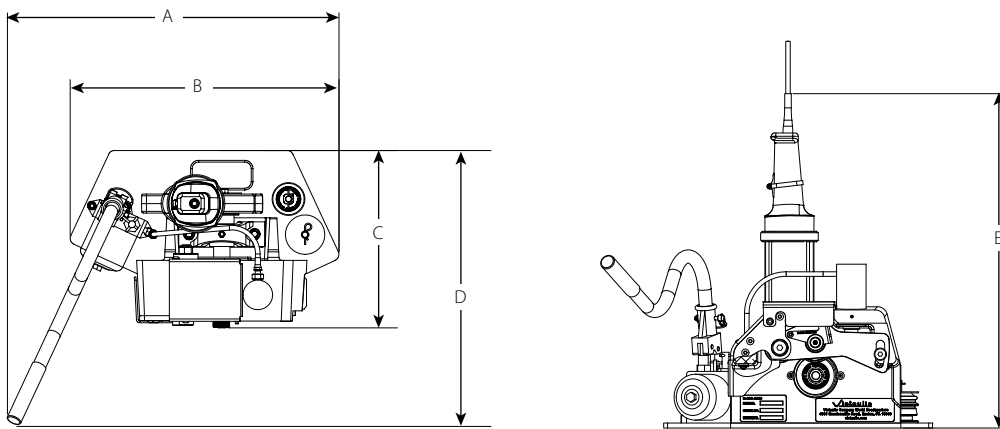
3.0 SPECIFICATIONS

- Drive Requirements: REMS Amigo 2, optional Ridgid™ 700 power drive may be used.
- Power Requirements: 230 VAC 50/60-Hz

4.0 ACCESSORIES/COMPONENTS

- One (1) Tool head assembly
- One (1) Hydraulic hand pump assembly
- One (1) Hydraulic hand pump handle
- One (1) Drive motor
- One (1) Roll sets
- One (1) Safety foot switch
- One (1) GDC-StrengThin™ 100 Go/No-Go Groove Diameter Cable
- Optional RG3600 tripod stand kit available

5.0 DIMENSIONS



Dimensions					Tool Weight
A	B	C	D	E	
mm	mm	mm	mm	mm	kg
inches	inches	inches	inches	inches	lb
643	521	343	534	648	29
25.3	20.5	13.5	21.0	25.5	55

6.0 NOTIFICATIONS

WARNING

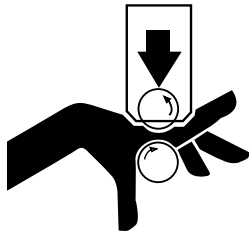


Failure to follow instructions and warnings could result in serious personal injury.

- Before operating or servicing this tool, read all instructions in the operating maintenance manual and all labels on the tool.
- Wear safety glasses, hardhat, foot protection, and hearing protection.

If you have questions concerning the safe and proper operation of this tool, contact Victaulic, P.O. Box 31, Easton, PA 18044-0031, Phone: 1-800-PICK VIC, E-Mail: pickvic@victaulic.com.

WARNING



Grooving rolls can crush or cut fingers and hands.

- Always disconnect the tool from the power source before making any tool adjustments.
- Make sure the guard is adjusted properly before grooving pipe.
- Loading/unloading pipe will place your hands close to the grooving rolls. Keep hands away from the grooving rolls and the roller on the pipe stabilizer during operation.
- Never reach inside the pipe ends or across the tool or pipe during operation.
- Never groove pipe that is shorter than the recommended lengths listed in the operating and maintenance manual.
- Never wear loose clothing, loose gloves, or anything that can become entangled in moving parts.

2244 Rev. D

R007276LBL

7.0 REFERENCE MATERIALS

[TM-RG3600: Operating and Maintenance Instructions Manual](#)

[TM-VAPS112: Vic-Easy Pipe Stand O&M Style VAPS 112 Manual](#)

[25.13: StrenghThin™ 100 Roll Groove Specifications](#)

[29.01: Terms and Conditions/Warranty](#)

User Responsibility for Product Selection and Suitability

Each user bears final responsibility for making a determination as to the suitability of Victaulic products for a particular end-use application, in accordance with industry standards and project specifications, and the applicable building codes and related regulations as well as Victaulic performance, maintenance, safety, and warning instructions. Nothing in this or any other document, nor any verbal recommendation, advice, or opinion from any Victaulic employee, shall be deemed to alter, vary, supersede, or waive any provision of Victaulic Company's standard conditions of sale, installation guide, or this disclaimer.

Intellectual Property Rights

No statement contained herein concerning a possible or suggested use of any material, product, service, or design is intended, or should be construed, to grant any license under any patent or other intellectual property right of Victaulic or any of its subsidiaries or affiliates covering such use or design, or as a recommendation for the use of such material, product, service, or design in the infringement of any patent or other intellectual property right. The terms "Patented" or "Patent Pending" refer to design or utility patents or patent applications for articles and/or methods of use in the United States and/or other countries.

Note

This product shall be manufactured by Victaulic or to Victaulic specifications. All products to be installed in accordance with current Victaulic installation/assembly instructions. Victaulic reserves the right to change product specifications, designs and standard equipment without notice and without incurring obligations.

Installation

Reference should always be made to the Victaulic installation handbook or installation instructions of the product you are installing. Handbooks are included with each shipment of Victaulic products, providing complete installation and assembly data, and are available in PDF format on our website at www.victaulic.com.

Warranty

Refer to the Warranty section of the current Price List or contact Victaulic for details.

Trademarks

Victaulic and all other Victaulic marks are the trademarks or registered trademarks of Victaulic Company, and/or its affiliated entities, in the U.S. and/or other countries.