

Cut Grooving Tool for CPVC/PVC Pipe

Model CG1100



1.0 PRODUCT DESCRIPTION

Grooving Capability:

- 2 – 12"/DN50 – DN300

Application:

- Portable light weight field or shop fabrication tool
- Designed to provide a radius PGS-300 cut groove in Schedule 40-80 chlorinated polyvinyl chloride (CPVC) and polyvinyl chloride (PVC) pipe

Performance:

| Tool Ratings — Maximum Pipe Size and Wall Thickness Capacity | | Pipe Size inches DN | | | | | | | |
|--|------------------|---------------------------|----|---------|----------|----------|----------|-----------|-----------|
| Model | Pipe Material | 2 50 | 2½ | 3 80 | 4 100 | 6 150 | 8 200 | 10 250 | 12 300 |
| CG1100 | CPVC/PVC | 40 – 80 | | | | | | | |

2.0 CERTIFICATION/LISTINGS

Manufactured by Victaulic Company

Product designed and manufactured under Victaulic's Quality Management System, as certified by LPCB in accordance with ISO 9001:2008

3.0 SPECIFICATIONS

Drive Requirements: Self-contained

Power Requirements: 120VAC, 50/60HZ, 7A

ALWAYS REFER TO ANY NOTIFICATIONS AT THE END OF THIS DOCUMENT REGARDING PRODUCT INSTALLATION, MAINTENANCE OR SUPPORT.

| | | | |
|--------------|--|----------|--|
| System No. | | Location | |
| Submitted By | | Date | |

| | | | |
|--------------|--|-----------|--|
| Spec Section | | Paragraph | |
| Approved | | Date | |

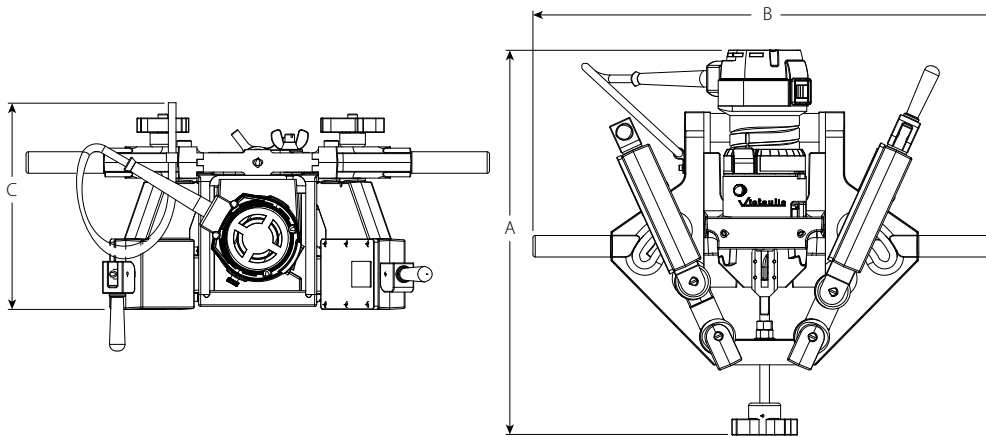
4.0 ACCESSORIES/COMPONENTS

- One (1) CG1100 Tool
- Two (2) Handles
- Two (2) Cutter Bits (2-4 inch)
- Two (2) Cutter Bits (6-12 inch)
- One (1) Alignment Block (2-4 inch)
- One (1) Alignment Block (6-12 inch)
- One (1) Flat-head Screwdriver
- One (1) 7/16 - inch Wrench
- One (1) 11/16 - inch Wrench
- Instructions Manual
- VAPS 12 or similar pipe stand recommended for pipe support. This pipe stand is not included with the CG1100 tool crate.

NOTE

- Cutter bits are a custom component and must be purchased through Victaulic.

5.0 DIMENSIONS








| Dimensions | | | Weight |
|-----------------------------|----------------------------|----------------------------|-----------------------------------|
| A Height inches mm | B Width inches mm | C Depth inches mm | Approximate (Each) lb kg |
| 18.00 157.2 | 19.50 495.3 | 8.00 203.2 | 17 7.7 |

NOTES

- 15" of radial clearance and 8" of axial clearance are suggested in order to properly mount the tool onto the pipe, groove and remove.
- Tool weight varies depending on the arm sets. The 6 – 12" arms cause the tool to weigh 22 lbs/9.9 kg.

6.0 NOTIFICATIONS

⚠ WARNING

- Read and understand all instructions in the TM-CG1100 Operating and Maintenance Manual.
- Wear safety glasses, hard hat, foot protection, and hearing protection when working around the tool.
- To prevent accidental activation of the tool during transport and handling, **DO NOT** install the battery until instructed otherwise in the operating and maintenance manual.
- Do not substitute off-the-shelf square bits. Always use bits provided by Victaulic.
- Failure to follow these instructions will cause improper product assembly and joint failure, resulting in serious personal injury and property damage.
- The CG1100 uses a multi-blade cutting bit, which must be handled with care.
- The cutting bit may be hot after grooving. **DO NOT** handle the bit immediately after grooving.
- Do not leave the tool unsupported when it is mounted on the pipe.

Failure to follow all instructions and warnings could result in death or serious personal injury and property damage.

NOTE:

- Replacement router bits must be ordered from Victaulic. Commercially available router bits will not produce the groove with the proper radii which may lead to pipe joint failure.

7.0 REFERENCE MATERIALS

- [25.18: Victaulic PGS-300 Cut Groove Specifications](#)
- [33.03: Victaulic CPVC Fittings](#)
- [33.06: Victaulic Installation-Ready™ Transition Coupling Style 356](#)
- [33.07: Victaulic Installation-Ready™ Rigid Coupling Style 357](#)
- [33.08: Victaulic Reducing Coupling Style 358](#)
- [I-356: Victaulic Installation Instructions Style 356 Transition Coupling](#)
- [I-357: Victaulic Installation Instructions Style 357 Rigid Coupling](#)
- [I-358: Victaulic Installation Instructions Style 358 Reducing Coupling](#)
- [I-GDC-PGS-300: Go/No-Go Groove Diameter Cable for Cut Grooved PVC and CPVC Pipe](#)
- [TM-CG1100: Victaulic CG1100 Cut Grooving Tool Operating and Maintenance Instructions Manual](#)

User Responsibility for Product Selection and Suitability

Each user bears final responsibility for making a determination as to the suitability of Victaulic products for a particular end-use application, in accordance with industry standards and project specifications, as well as Victaulic performance, maintenance, safety, and warning instructions. Nothing in this or any other document, nor any verbal recommendation, advice, or opinion from any Victaulic employee, shall be deemed to alter, vary, supersede, or waive any provision of Victaulic Company's standard conditions of sale, installation guide, or this disclaimer.

Intellectual Property Rights

No statement contained herein concerning a possible or suggested use of any material, product, service, or design is intended, or should be construed, to grant any license under any patent or other intellectual property right of Victaulic or any of its subsidiaries or affiliates covering such use or design, or as a recommendation for the use of such material, product, service, or design in the infringement of any patent or other intellectual property right. The terms "Patented" or "Patent Pending" refer to design or utility patents or patent applications for articles and/or methods of use in the United States and/or other countries.

Note

This product shall be manufactured by Victaulic or to Victaulic specifications. All products to be installed in accordance with current Victaulic installation/assembly instructions. Victaulic reserves the right to change product specifications, designs and standard equipment without notice and without incurring obligations.

Installation

Reference should always be made to the Victaulic installation handbook or installation instructions of the product you are installing. Handbooks are included with each shipment of Victaulic products, providing complete installation and assembly data, and are available in PDF format on our website at www.victaulic.com.

Warranty

Refer to the Warranty section of the current Price List or contact Victaulic for details.

Trademarks

Victaulic and all other Victaulic marks are the trademarks or registered trademarks of Victaulic Company, and/or its affiliated entities, in the U.S. and/or other countries.