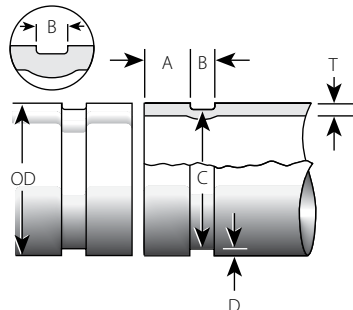


DIMENSIONS

STRENGTHIN™ 100 ROLL GROOVE SPECIFICATIONS



Pipe per BS EN 10217-7 304/304L and 316/316L

Nominal Size	Pipe Outside Diameter ¹			Gasket Seat "A" ²	Groove Width "B" ³	Groove Diameter "C" ⁴		Groove Depth "D" ⁵ (ref.)	Nominal Allowable Pipe Wall Thickness "T" ⁶	
	Actual	Tolerance				Max	Min		Max	Min
inches DN	inches mm	inches mm	inches mm	inches mm	inches mm	inches mm	inches mm	inches mm	inches mm	inches mm
2 DN50	2.375 60.3	2.399 60.93	2.351 59.72	0.750 19.05	0.110 2.79	2.139 54.33	2.124 53.95	0.120 3.05	0.106 2.7	0.063 1.6
DN65	3.000 76.1	3.030 77.00	2.970 75.40	0.750 19.05	0.110 2.79	2.770 70.36	2.752 69.90	0.120 3.05	0.106 2.7	0.063 1.6
3 DN80	3.500 88.9	3.535 89.79	3.469 88.11	0.750 19.05	0.110 2.79	3.275 83.19	3.257 82.73	0.120 3.05	0.106 2.7	0.063 1.6
4 DN100	4.500 114.3	4.545 115.44	4.469 113.51	0.750 19.05	0.110 2.79	4.285 108.84	4.265 108.33	0.120 3.05	0.106 2.7	0.063 1.6
DN125	5.500 139.7	5.556 141.10	5.469 138.90	0.750 19.05	0.110 2.79	5.296 134.52	5.276 134.01	0.120 3.05	0.118 3.0	0.079 2.0
6 DN150	6.625 168.3	6.688 169.88	6.594 167.49	0.750 19.05	0.110 2.79	6.428 163.27	6.406 162.71	0.120 3.05	0.118 3.0	0.079 2.0
8 DN200	8.625 219.1	8.688 220.68	8.594 218.29	0.875 22.23	0.200 5.08	8.315 211.20	8.290 210.57	0.160 4.06	0.146 3.7	0.118 3.0
10 DN250	10.750 273.0	10.813 274.65	10.719 272.26	0.875 22.23	0.200 5.08	10.440 265.18	10.413 264.49	0.160 4.06	0.165 4.2	0.118 3.0
12 DN300	12.750 323.9	12.813 325.45	12.719 323.06	0.875 22.23	0.200 5.08	12.440 315.98	12.410 315.21	0.160 4.06	0.177 4.5	0.118 3.0

- Outside diameter: The outside diameter of roll grooved pipe shall not vary more than the tolerance listed.
- Gasket seat "A": The pipe surface shall be free from indentations, roll marks and projections from the end of the pipe to the groove to provide a leak-tight seal for the gasket. All loose paint, scale, dirt, chips, grease and rust must be removed. It continues to be Victaulic's first recommendation that pipe be square cut. When using beveled pipe, contact Victaulic for details. Gasket seat "A" is measured from the end of the pipe.
- Groove width "B": The bottom of the groove shall be free of loose dirt, chips, rust and scale that may interfere with proper coupling assembly.
- Groove diameter "C": The groove must be of uniform depth for the entire pipe circumference. The groove must be maintained within the "C" diameter tolerance listed.
- Groove depth "D": For reference only. Groove must conform to the groove diameter "C" listed.
- Nominal allowable pipe wall thickness "T": This is the nominal allowable pipe wall thickness which may be roll grooved.

ALWAYS REFER TO ANY NOTIFICATIONS AT THE END OF THIS DOCUMENT REGARDING PRODUCT INSTALLATION, MAINTENANCE OR SUPPORT.

System No.		Location	
Submitted By		Date	

Spec Section		Paragraph	
Approved		Date	

REFERENCE MATERIALS

[24.01: Victaulic Pipe Preparation Tools](#)

[31.02: Victaulic StrengThin™ 100 System Style E497 Rigid Coupling for Stainless Steel Pipe](#)

[31.04: Victaulic StrengThin™ 100 Fittings for Stainless Steel](#)

[I-100: Victaulic Field Installation Handbook](#)

User Responsibility for Product Selection and Suitability

Each user bears final responsibility for making a determination as to the suitability of Victaulic products for a particular end-use application, in accordance with industry standards and project specifications, and the applicable building codes and related regulations as well as Victaulic performance, maintenance, safety, and warning instructions. Nothing in this or any other document, nor any verbal recommendation, advice, or opinion from any Victaulic employee, shall be deemed to alter, vary, supersede, or waive any provision of Victaulic Company's standard conditions of sale, installation guide, or this disclaimer.

Intellectual Property Rights

No statement contained herein concerning a possible or suggested use of any material, product, service, or design is intended, or should be construed, to grant any license under any patent or other intellectual property right of Victaulic or any of its subsidiaries or affiliates covering such use or design, or as a recommendation for the use of such material, product, service, or design in the infringement of any patent or other intellectual property right. The terms "Patented" or "Patent Pending" refer to design or utility patents or patent applications for articles and/or methods of use in the United States and/or other countries.

Note

This product shall be manufactured by Victaulic or to Victaulic specifications. All products to be installed in accordance with current Victaulic installation/assembly instructions. Victaulic reserves the right to change product specifications, designs and standard equipment without notice and without incurring obligations.

Installation

Reference should always be made to the Victaulic installation handbook or installation instructions of the product you are installing. Handbooks are included with each shipment of Victaulic products, providing complete installation and assembly data, and are available in PDF format on our website at www.victaulic.com.

Warranty

Refer to the Warranty section of the current Price List or contact Victaulic for details.

Trademarks

Victaulic and all other Victaulic marks are the trademarks or registered trademarks of Victaulic Company, and/or its affiliated entities, in the U.S. and/or other countries.