

Series 748 FireLock® Ball Check

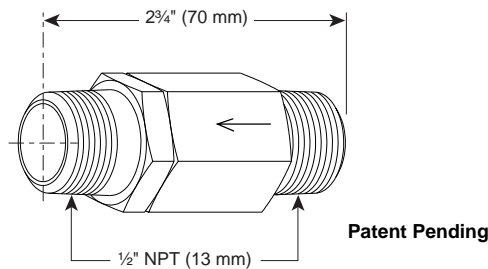
PRODUCT DESCRIPTION



The Victaulic® Series 748 FireLock® Ball Check is used in the trim piping of the Series 756 Dry Valve and Series 758 Preaction Valve in order to allow the valve activating mechanism, either Series 753-A Dry Actuator or Series 754-A Accelerator, to monitor and react to the entire sprinkler system air volume. The Ball Check will remain fully open, allowing the free flow of air in both directions, until the sprinkler control valve is activated, at which time the flow of water entering the sprinkler system will close the Ball Check keeping the Air Supply trim from flooding. The Ball Check will remain closed until the sprinkler system is fully drained during the normal sequence of placing the sprinkler control valve back into service.

The Series 748 Ball Check is rated to 300 PSI (2065 kPa).

DIMENSIONS



INSTALLATION

Retrofit

The Series 748 Ball Check is intended to be installed in the horizontal orientation.

When the Series 748 Ball Check is used to upgrade an existing installation it will replace the brass check valve at the air entry into the sprinkler system piping from the trim. The arrow must be directed into the sprinkler system piping. It will be necessary to add a pipe nipple in addition to the ball check to avoid affecting the location of the air inlet to the actuator or accelerator. All joints should be checked for leakage after the installation is completed.

OPERATION

The Series 748 Ball Check is located in the sprinkler control valve trim, on the air supply line between the air supply inlet to the Series 753-A Dry Actuator or 754-A Accelerator, and the sprinkler system. The Ball Check must be installed with the direction of the arrow pointing into the sprinkler system. As air is being supplied to the sprinkler system the ball check remains open and cannot close. Once system pressure has been established the ball check still remains open allowing air to flow in the forward and reverse directions. In this way the dry actuator or accelerator will monitor air pressure loss for the entire volume of the sprinkler system, not just the air supply trim. The Ball Check will remain in this position until the sprinkler control valve operates. When the control valve opens the flow of water will force the ball in the Ball Check to close in the reverse direction allowing minimal water to enter the air supply trim. The Ball Check will remain closed until the sprinkler system is drained when it will automatically open to its pre activation condition.

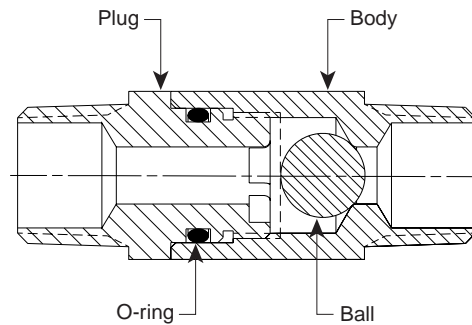
MATERIAL SPECIFICATIONS

Body: 836 Brass

Plug: 836 Brass

Ball: Delrin

O-ring: Buna



This product shall be manufactured by Victaulic Company. All products to be installed in accordance with current Victaulic installation/assembly instructions. Victaulic reserves the right to change product specifications, designs and standard equipment without notice and without incurring obligations.