

FireLock® V34, K8.0

Models V3409, V3410



V3409/V3410
Horizontal Sidewall



V3409/V3410
Recessed Horizontal Sidewall



V3409/V3410
Standard Horizontal Sidewall

1.0 PRODUCT DESCRIPTION

Models

- V3409, V3410

Style

- Horizontal Sidewall

Nominal Orifice Size

- 1⁷/₃₂"/14 mm

K Factor

- 8.0 Imp./11.5 S.I.¹

Nominal Connection Size

- 3/4"/20 mm BSPT/IGS Grooved

Max. Working Pressure

- 175 psi/1200 kPa

Factory Hydrostatic Test

- 100% @ 500 psi/3450 kPa

Min. Operating Pressure

- 7 psi/48 kPa

Temperature Rating

- See chart

¹ For K-Factor when pressure is measured in Bar, multiply S.I. units by 10.0.

ALWAYS REFER TO ANY NOTIFICATIONS AT THE END OF THIS DOCUMENT REGARDING PRODUCT INSTALLATION, MAINTENANCE OR SUPPORT.

System No.		Location	
Submitted By		Date	

Spec Section		Paragraph	
Approved		Date	

2.0 CERTIFICATION/LISTINGS



APPROVALS/LISTINGS	Model			
	V3409	V3409	V3410	V3410
Orifice Size (inches)	17/32"	17/32"	17/32"	17/32"
Orifice Size (mm)	14	14	14	14
Nominal K Factor Imperial	8.0	8.0	8.0	8.0
Nominal K Factor S.I. ²	11.5	11.5	11.5	11.5
Response	Standard	Standard	Quick	Quick
Deflector Type	Horizontal Sidewall	Recessed HSW Up to 3/4" Adjustment	Horizontal Sidewall	Recessed HSW Up to 3/4" Adjustment
Approved Temperature Ratings	F°/C°			
cULus	135°F/57°C 155°F/68°C 175°F/79°C 200°F/93°C 286°F/141°C 360°F/182°C	135°F/57°C 155°F/68°C 175°F/79°C 200°F/93°C	135°F/57°C 155°F/68°C 175°F/79°C 200°F/93°C 286°F/141°C	135°F/57°C 155°F/68°C 175°F/79°C 200°F/93°C
NYC/MEA # 62-99-E	135°F/57°C 155°F/68°C 175°F/79°C 200°F/93°C 286°F/141°C 360°F/182°C	135°F/57°C 155°F/68°C 175°F/79°C 200°F/93°C	135°F/57°C 155°F/68°C 175°F/79°C 200°F/93°C 286°F/141°C	135°F/57°C 155°F/68°C 175°F/79°C 200°F/93°C
CSFM # 7690-0531:112	135°F/57°C 155°F/68°C 175°F/79°C 200°F/93°C 286°F/141°C 360°F/182°C	135°F/57°C 155°F/68°C 175°F/79°C 200°F/93°C	135°F/57°C 155°F/68°C 175°F/79°C 200°F/93°C 286°F/141°C	135°F/57°C 155°F/68°C 175°F/79°C 200°F/93°C

² For K-Factor when pressure is measured in Bar, multiply S.I. units by 10.0.

NOTE

- Certifications/Listings are current as of printing. For the latest information, please consult the regulatory agency's website.

3.0 SPECIFICATIONS – MATERIAL

Horizontal Deflector: Bronze

Bulb: Glass with glycerin solution

Bulb Nominal Diameter:

Standard: 5.0 mm

Quick Response: 3.0 mm

Load Screw: Bronze

Pip Cap: Bronze

Seal: PTFE tape

Spring: Beryllium nickel

Frame: Die cast brass

Lodgement Spring: Stainless steel

Accessories

Installation Wrench:

Open End: V34

Recessed: V34

Sprinkler Finishes:

Plain Brass

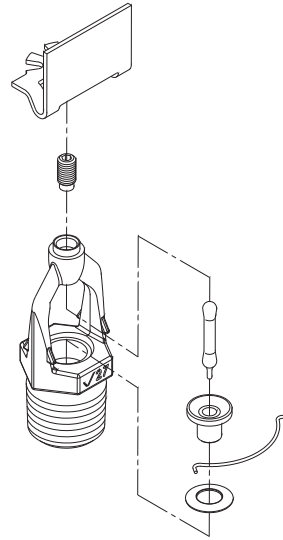
Chrome plated

White polyester coated²

Flat black painted²

Custom painted²

VC-250³



Exaggerated for clarity

For cabinets and other accessories refer to separate sheet.

NOTE: Weather resistant recessed escutcheon available upon request.

² UL Listed for corrosion resistance.

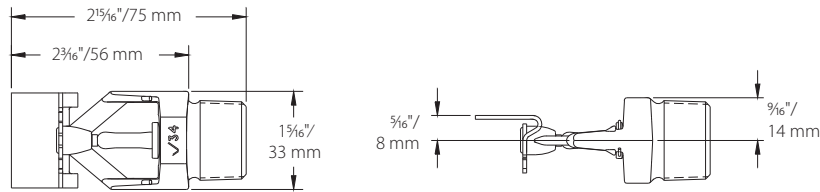
³ UL Listed and FM Approved for corrosion resistance

NOTE

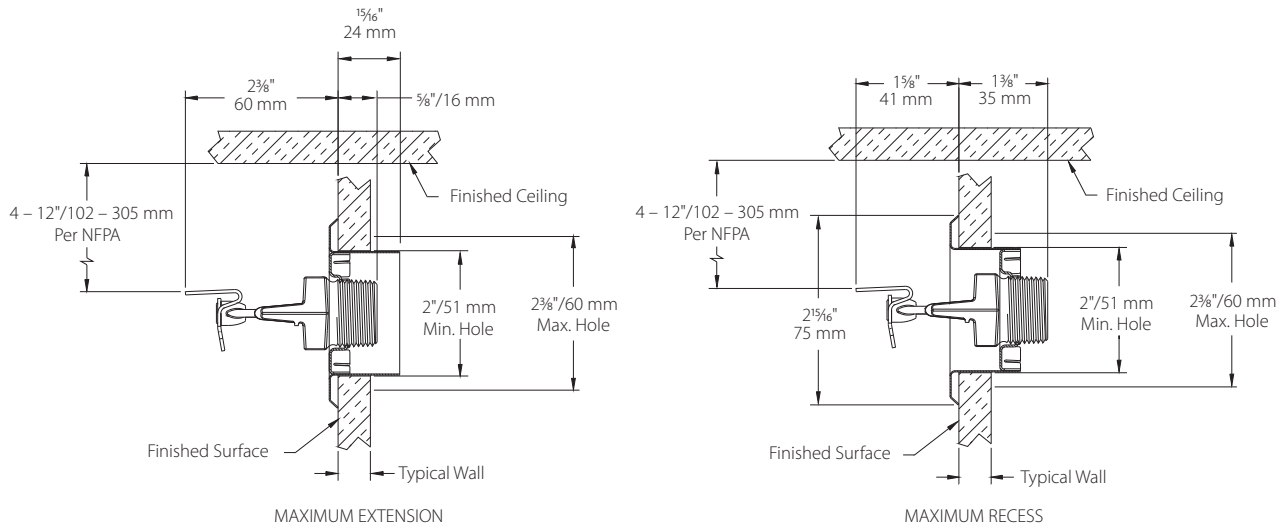
- IGS Grooved sprinklers are only available with Plain Brass finish.

4.0 DIMENSIONS

Models V3409, V3410



Standard Horizontal Sidewall – V3409, V3410



3/4" Adjustment Recessed – V3409, V3410 (drawing not to scale)

NOTE




- V34, K8.0 sprinklers with Style V9 coupling dimensions are the same as threaded sprinkler dimensions.

5.0 PERFORMANCE

Sprinkler is to be installed and designed as per NFPA, FM Datasheets, or any local standards.

6.0 NOTIFICATIONS

⚠ WARNING

- Always read and understand installation, care, and maintenance instructions, supplied with each box of sprinklers, before proceeding with installation of any sprinklers.
- Always wear safety glasses and foot protection.
- Depressurize and drain the piping system before attempting to install, remove, or adjust any Victaulic piping products.
- Installation rules, especially those governing obstruction, must be strictly followed.
- Painting, plating, or any re-coating of sprinklers (other than that supplied by Victaulic) is not allowed.

Failure to follow these instructions could result in serious personal injury and/or property damage.

The owner is responsible for maintaining the fire protection system and devices in proper operating condition. For minimum maintenance and inspection requirements, refer to the current National Fire Protection Association pamphlet that describes care and maintenance of sprinkler systems. In addition, the authority having jurisdiction may have additional maintenance, testing, and inspection requirements that must be followed.

If you need additional copies of this publication, or if you have any questions about the safe installation of this product, contact Victaulic World Headquarters: P.O. Box 31, Easton, Pennsylvania 18044-0031 USA, Telephone: 001-610-559-3300.

7.0 REFERENCE MATERIALS

Sprinkler Temperature Classification	Victaulic Part Identification	Temperature – °F/°C		Glass Bulb Color
		Nominal Temperature Rating	Max. Ambient Temperature Allowed	
Ordinary	A	135°F/57°C	100°F/38°C	Orange
Ordinary	C	155°F ⁶ /68°C	100°F/38°C	Red
Intermediate	E	175°F/79°C	150°F/65°C	Yellow
Intermediate	F	200°F ⁶ /93°C	150°F/65°C	Green
High	J	286°F/141°C	225°F/107°C	Blue
Extra High	K	360°F/182°C	300°F/149°C	Mauve
–	M	Open	–	No Bulb

⁶ Standard response only.
All are approved open, except for areas designated “No.”

[29.01: Victaulic Terms and Conditions of Sale](#)

[I-40: FireLock™ Automatic Sprinklers Installation Manual](#)

Available Wrenches

	V34 Recessed	V34 Open End	3/16" Hex Bit
V3409, V3410 Threaded No escutcheon	✓	✓	–
V3409, V3410 Threaded With escutcheon	✓	–	–
V3409/V3410 Grooved	–	–	✓

NOTE

• 3/16" hex bit provided with V9 coupling shipment.

User Responsibility for Product Selection and Suitability

Each user bears final responsibility for making a determination as to the suitability of Victaulic products for a particular end-use application, in accordance with industry standards and project specifications, and the applicable building codes and related regulations as well as Victaulic performance, maintenance, safety, and warning instructions. Nothing in this or any other document, nor any verbal recommendation, advice, or opinion from any Victaulic employee, shall be deemed to alter, vary, supersede, or waive any provision of Victaulic Company's standard conditions of sale, installation guide, or this disclaimer.

Intellectual Property Rights

No statement contained herein concerning a possible or suggested use of any material, product, service, or design is intended, or should be construed, to grant any license under any patent or other intellectual property right of Victaulic or any of its subsidiaries or affiliates covering such use or design, or as a recommendation for the use of such material, product, service, or design in the infringement of any patent or other intellectual property right. The terms “Patented” or “Patent Pending” refer to design or utility patents or patent applications for articles and/or methods of use in the United States and/or other countries.

Note

This product shall be manufactured by Victaulic or to Victaulic specifications. All products to be installed in accordance with current Victaulic installation/assembly instructions. Victaulic reserves the right to change product specifications, designs and standard equipment without notice and without incurring obligations.

Installation

Reference should always be made to the Victaulic installation handbook or installation instructions of the product you are installing. Handbooks are included with each shipment of Victaulic products, providing complete installation and assembly data, and are available in PDF format on our website at www.victaulic.com.

Warranty

Refer to the Warranty section of the current Price List or contact Victaulic for details.

Trademarks

Victaulic and all other Victaulic marks are the trademarks or registered trademarks of Victaulic Company, and/or its affiliated entities, in the U.S. and/or other countries.