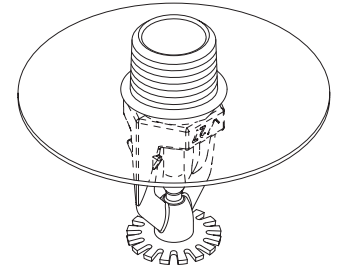




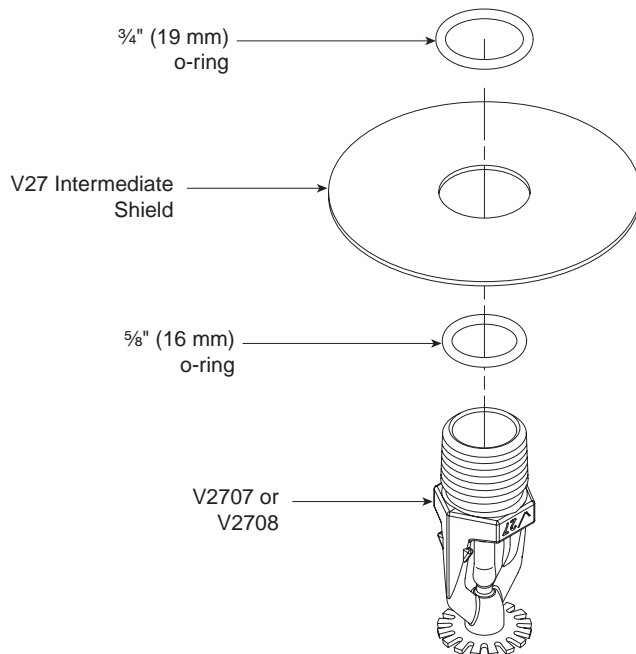


## V2723 or V2724 V27 Intermediate Level, Standard Pendent Shield Kit



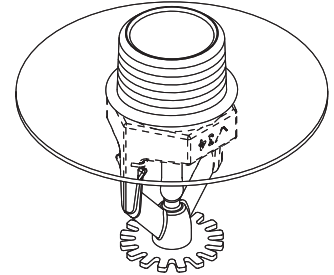
   	<h3>! WARNING</h3> <ul style="list-style-type: none"> <li>• Read and understand all instructions before attempting to assemble this kit. Refer to the I-40, Victaulic Automatic Sprinklers Installation and Maintenance sheet, for complete installation guidelines.</li> <li>• Wear hardhat, eye protection, and foot protection.</li> </ul> <p>Failure to follow these instructions could cause improper system operation, resulting in serious personal injury and/or property damage.</p> <p>If you need additional copies of any literature, or if you have any questions concerning the safe and proper installation of this product, contact Victaulic Company, P. O. Box 31, Easton, PA 18044-0031, USA, Telephone: 1-800-PICK VIC; e-mail: pickvic@victaulic.com.</p>
--	--




<h3>! WARNING</h3> <ul style="list-style-type: none"> <li>• Make sure the o-rings are properly installed, as detailed in the instructions below.</li> <li>• The o-rings block water, flowing from an activated sprinkler head above, from contacting the bulb of a sprinkler head below and delaying activation.</li> </ul> <p>Failure to install the o-rings properly could cause improper or delayed sprinkler activation, resulting in serious personal injury and/or property damage.</p>
---

1. Carefully stretch the smaller (5/8-inch/16-mm) o-ring over the V2707 or V2708 sprinkler threads until it seats properly in the groove between the threads and the wrench boss.
2. Place the V27 intermediate shield over the threads and the o-ring until it contacts the wrench boss.
3. Carefully stretch the larger (3/4-inch/19-mm) o-ring over the threads until it is snug against the V27 intermediate shield.
4. This assembly creates a Model V2723 (when used with a V2707 sprinkler) or a Model V2724 (when used with a V2708 sprinkler) Intermediate Level, Standard Pendent Sprinkler.

## V3419 or V3420 V34 Intermediate Level, Standard Pendent Shield Kit



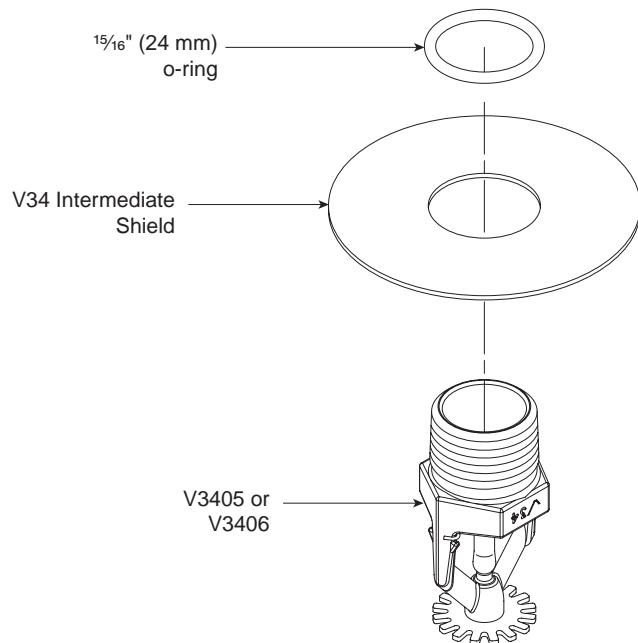


### ! WARNING

- Read and understand all instructions before attempting to assemble this kit. Refer to the I-40, Victaulic Automatic Sprinklers Installation and Maintenance sheet, for complete installation guidelines.
- Wear hardhat, eye protection, and foot protection.

Failure to follow these instructions could cause improper system operation, resulting in serious personal injury and/or property damage.

If you need additional copies of any literature, or if you have any questions concerning the safe and proper installation of this product, contact Victaulic Company, P. O. Box 31, Easton, PA 18044-0031, USA, Telephone: 1-800-PICK VIC; e-mail: pickvic@victaulic.com.



### ! WARNING

- Make sure the o-rings are properly installed, as detailed in the instructions below.
- The o-ring blocks water, flowing from an activated sprinkler head above, from contacting the bulb of a sprinkler head below and delaying activation.

Failure to install the o-ring properly could cause improper or delayed sprinkler activation, resulting in serious personal injury and/or property damage.

1. Place the V34 intermediate shield over the threads of the sprinkler until it contacts the wrench boss.
2. Carefully stretch the o-ring over the threads of the sprinkler until it is snug against the V34 intermediate shield.
3. This assembly creates a Model V3419 (when used with a V3405 sprinkler) or a Model V3420 (when used with a V3406 sprinkler) Intermediate Level, Standard Pendent Sprinkler.