

VE106 Groove-N-Go Portable Pipe/Tubing Roll Grooving Tool



PATENTED

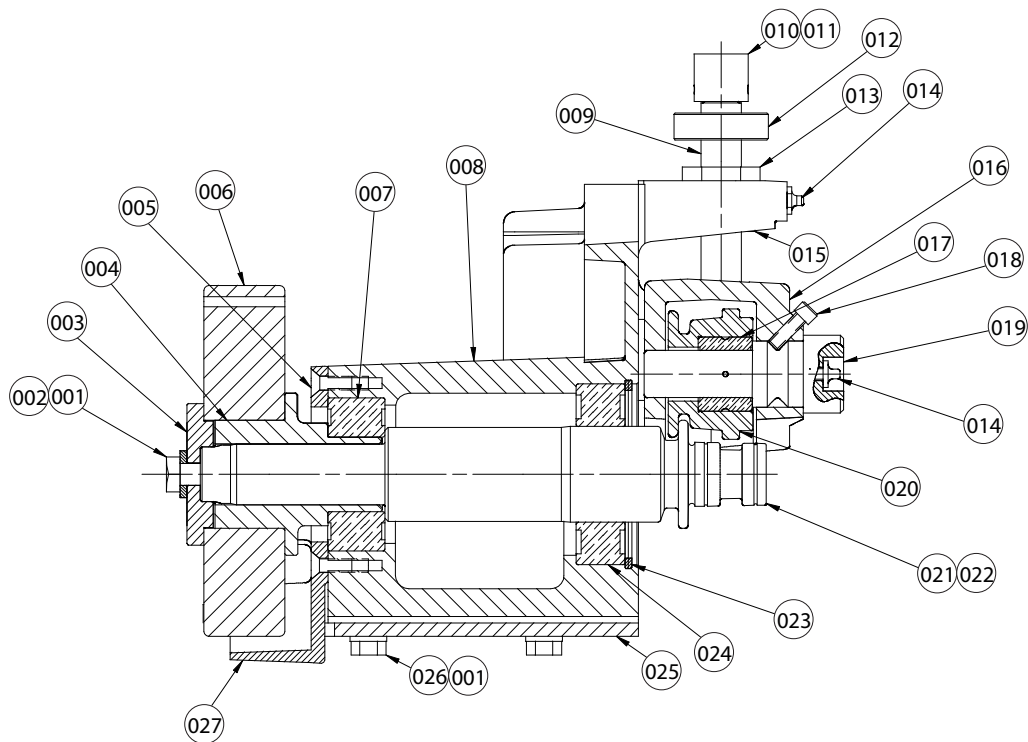
PARTS ORDERING INFORMATION

When ordering parts, the following information is necessary for Victaulic to process the order promptly:

1. Tool Model Number – VE106 Groove-N-Go
2. Tool Serial Number – The Serial Number can be found on the side of the tool.
3. Quantity, Item Number, Part Number, Description
4. Where to send the part(s) – Company Name and Address
5. To whose attention to send the part(s)
6. Purchase Order Number

Parts may be ordered from the nearest Victaulic Sales Office listed on the last page.

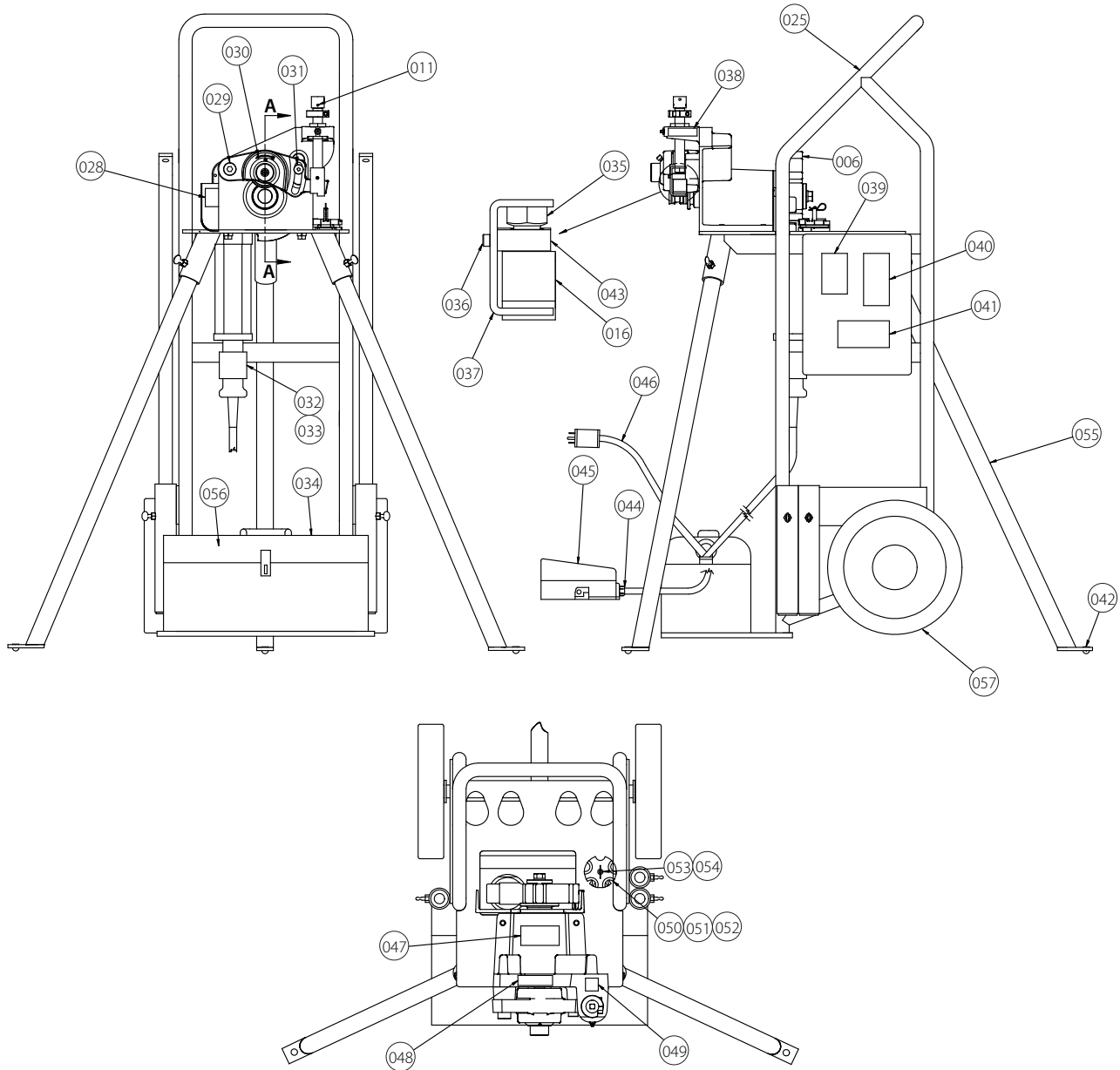
VE106 Groove-N-Go Portable Pipe/Tubing Roll Grooving Tool



SECTION A-A

Item#	Part #	Qty.	Description
001	N-W03-060-000	5	3/8" Lock Washer, Pltd.
002	N-S02-060-100	1	3/8 - 16 UNC x 1.00 Lg. Hex Head Bolt, Grd. 8, Pltd.
003	R-006-106-PLT	1	Drive Key
004	R-004-106-PLT	1	Drive Hub
005	N-S18-040-012	4	1/4 - 20 UNC x 0.75 Lg. Flat Hd. Csk. Screw, Blk. Ox.
006	N-005-817-110	1	Power Drive
007	N-B01-120-001	1	Double Row Ball Bearing
008	R-001-106-MCH	1	Tool Head
009	R-007-106-PLT	1	Ram Shaft
010	R-018-226-MCH	1	Drive Socket
011	N-P08-000-100	1	0.156 Dia. x 1.00 Lg. Shear Pin
012	R-021-226-MCH	1	Depth Stop Collar with 1/4 - 28 UNF x 0.75 Lg. Socket Head Cap Screw
013	R-046-226-MCH	1	Body Nut
014	N-M01-000-007	2	1/4 - 28 Grease Fitting, Straight
015	R-048-226-MCH	1	Body Insert
016	R-002-106-MCH	1	Arm
017	N-B02-087-001	1	Roller Bearing
018	N-S03-040-012	1	1/4 - 20 UNC x 0.75 Lg. Socket Head Cap Screw, Blk. Ox.
019	R-005-106-PLT	1	Upper Shaft
020	R-912-106-U06	1	Upper Roll (1 1/4 - 6" Steel)
021	R-912-106-L03	1	Lower Roll Shaft (1 1/4 - 3" Steel)
022	R-904-106-L06	1	Lower Roll Shaft (4 - 6" Steel)
023	N-T03-000-029	1	Retaining Ring
024	N-B02-011-109	1	Roller Bearing
025	R-011-106-ASY	1	Cart Assembly
026	N-S01-060-100	4	3/8 - 16 UNC x 1.00 Lg. Hex Head Bolt, Pltd.
027	R-003-106-MCH	1	Mounting Plate

VE106 Groove-N-Go Portable Pipe/Tubing Roll Grooving Tool



Item#	Part #	Qty.	Description
028	R-069-272-LAB	1	Name Plate
029	N-S05-012-108	1	0.75 Dia. x 1.50 Lg. Shoulder Bolt, Blk. Ox.
030	R-019-106-LBL	1	Label, Pipe Rotation
031	N-S05-080-108	1	0.50 Dia. x 1.50 Lg. Shoulder Bolt, Blk. Ox.
032	R-701-226-PLT	1	Trigger Clamp
033	N-S32-040-008	2	1/4 - 20 UNC x 0.50 Lg. Thumb Screw, Pltd.
034	R-016-106-LBL	1	Label, Identification
035	R-021-106-FNH	1	Ram Shaft Nose
036	N-S03-006-006	1	#6 - 32 x 0.38 Socket Head Cap Screw, Blk. Ox.
037	R-023-106-FNH	1	Roll Arm Lifter
038	R-034-272-LAB	1	Label, Depth Stop Adjustment Direction
039	R-070-260-VE0	1	Label, Copper "C" Diameter Reference
040	R-009-424-LBL	1	Label, "C" Diameter Reference
041	R-031-272-LAB	1	Label, Instruction Warning
042	N-M24-000-001	3	Grommet

Item#	Part #	Qty.	Description
043	R-022-106-FNH	1	Nose Socket
044	N-E06-000-001	2	Cord Grip Connector
045	N-E03-000-002	1	Footswitch
046	N-E04-000-011	15 feet	12 - 3 Extension Cord with Pigtail
047	R-028-226-LBL	1	Label, Instruction Warning
048	R-021-417-LAB	1	Label, Tool Company
049	R-049-226-LBL	1	Label, Grease Daily
050	R-008-106-PLT	1	Groove Depth Gauge (1/4 - 6" Sch. 40 Steel)
051	R-009-106-PLT	1	Groove Depth Gauge (1/4 - 6" Sch. 5/10 Steel)
052	R-010-106-PLT	1	Groove Depth Gauge (2 - 6" Copper)
053	N-P07-050-200	1	0.25 Dia. x 2.00 Lg. Clevis Pin, Adjustable
054	N-M16-000-004	1	1/4 - 1/2" Shaft Dia. Range Hairpin
055	R-015-106-PNT	3	Leg
056	R-001-700-BOX	1	Tool Box
057	N-CT2-512-406	2	Wheel

VE106 Groove-N-Go Portable Pipe/Tubing Roll Grooving Tool

For complete contact information, visit www.victaulic.com

RP-VE106 4314 REV A UPDATED 10/2007 RPL0106000

VICTAULIC IS A REGISTERED TRADEMARK OF VICTAULIC COMPANY. © 2007 VICTAULIC COMPANY. ALL RIGHTS RESERVED. PRINTED IN THE USA.

RP-VE106

