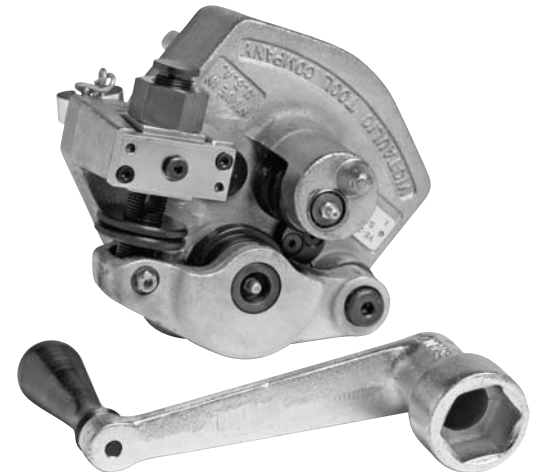


REPAIR PARTS FOR VE26 In-Place Groover



VE26S FOR STEEL AND SCHEDULE 40 STAINLESS STEEL PIPE
VE26SS FOR LIGHT-WALL STAINLESS STEEL PIPE
VE26C FOR ASTM B-88 AND B-306 TYPES K, L, M, AND DWV COPPER TUBING
VE26EC FOR EC, BS, AND DIN COPPER TUBING
VE26AC FOR AUSTRALIAN COPPER TUBING
VE26P FOR ALUMINUM AND OTHER IPS PIPE

PARTS ORDERING INFORMATION

When ordering parts, the following information is necessary for Victaulic to promptly process the order and send the correct part(s).

1. Tool Model Number. VE26 (S, SS, C, EC, AC, or P)
2. Tool Serial Number.
The Serial Number can be found on the front of the tool.
3. Quantity, Item Number, Part Number, Description.
Example: (1), 39, R-012-026-0FS, Trunnion.
4. Where to send the part(s).
Company Name. Address
5. To whose attention to send the part(s).
Person's Name.
6. Purchase Order Number

Parts may be ordered from the nearest Victaulic Sales Office. Consult the back page of this instruction manual for the nearest Victaulic Sales Office.

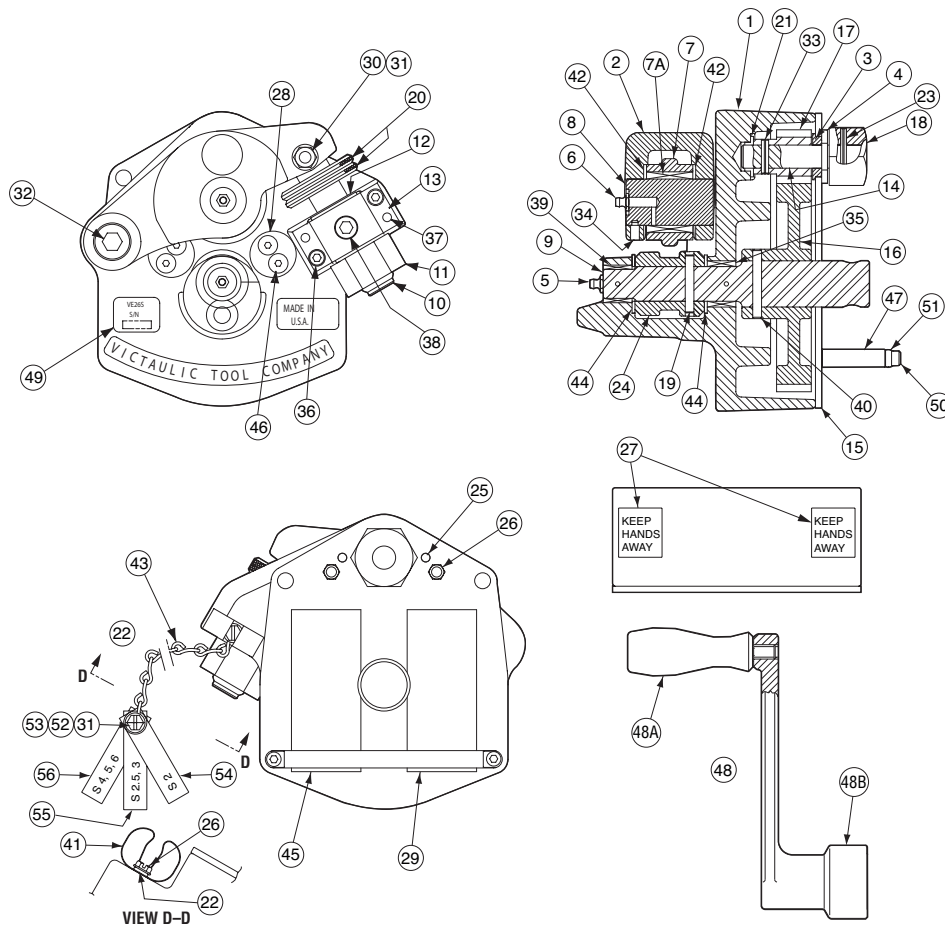
Victaulic® Factory Representatives and Distributor Stocks Worldwide

Victaulic reserves the right to change product specifications, designs and standard equipment without notice and without obligation.

VICTAULIC® IS AN ISO 9001 CERTIFIED COMPANY

UNITED STATES	CANADA	EUROPE	UK	MIDDLE EAST	CENTRAL & SOUTH AMERICA	ASIA-PACIFIC
Phone: 1-800-PICK-VIC (1-800-742-5842)	Phone: 905-884-7444 Fax: 905-884-9774	Phone: 32-9-381-1500 Fax: 32-9-380-4438	Phone: 44(0)1438741100 Fax: 44(0)1438313883	Phone: 971-4-883-88-70 Fax: 971-4-883-88-60	Phone: 610-559-3300 Fax: 610-559-3608	Phone: 86-21-54253300 Fax: 86-21-54253671
Fax: 610-250-8817 e-mail: pickvic@victaulic.com	e-mail: viccanada@victaulic.com	e-mail: viceuro@victaulic.be	e-mail: viceuro@victaulic.be	e-mail: viceuro@victaulic.be	e-mail: vical@victaulic.com	e-mail: vicap@victaulic.com

VE26S STEEL GROOVER

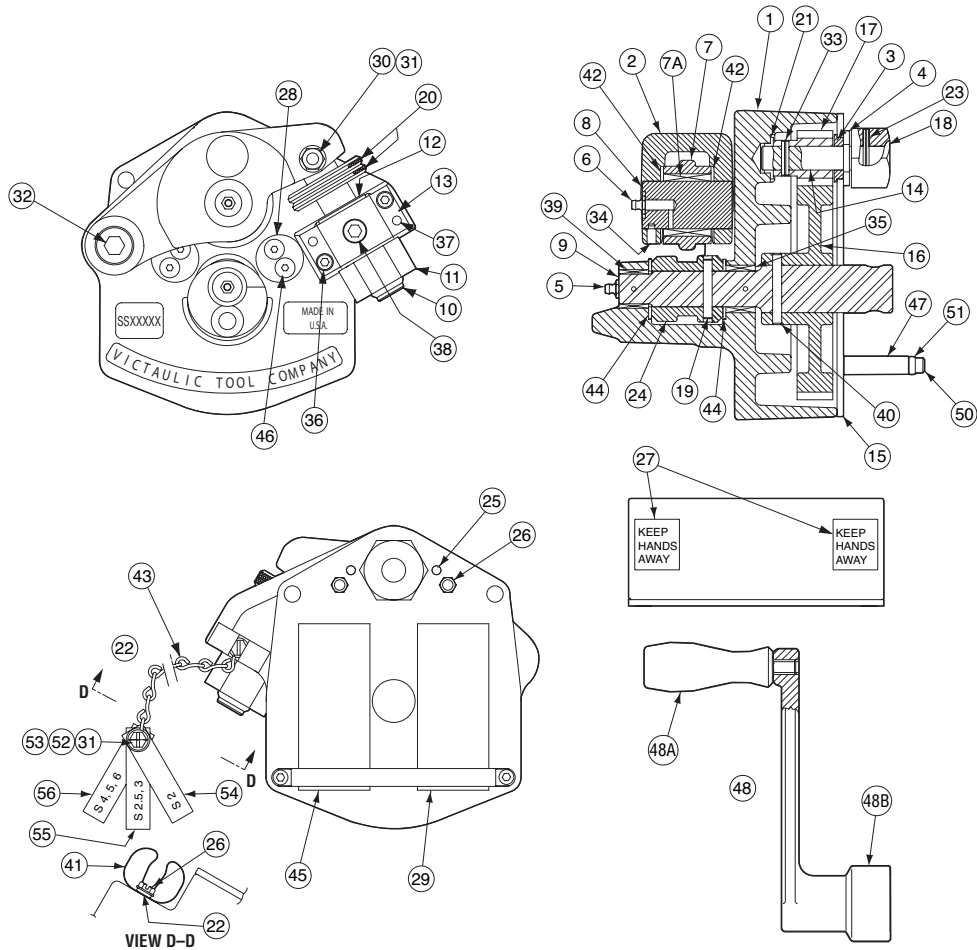


Item#	Part #	Qty.	Description
1	R-001-026-0FS	1	Body
2	R-002-012-0FS	1	Arm
3	R-003-026-MCH	1	Flange Bearing
4	R-004-026-MCH	1	Jam Nut
5	N-M01-000-008	1	Grease Fitting, 5/16" - 32, Straight
6	N-M01-000-007	1	Grease Fitting, 1/4" - 28, Straight
7	R-902-026-U06	1	Upper Roll for Steel Pipe **
7A	N-B02-100-008	1	Bearing
8	R-008-026-0FS	1	Upper Shaft
9	R-109-026-MCH	1	Lower Shaft
10	R-010-026-0FS	1	Feed Screw
11	R-011-026-0FS	1	Feed Nut
12	R-012-026-0FS	1	Trunnion
13	R-013-026-0FS	1	Front Plate
14	R-014-026-0FS	1	Pinion Shaft
15	R-115-026-PLT	1	Gear Cover Plate
16	R-116-026-MCH	1	Gear
17	R-017-026-0FS	1	Pinion
18	R-018-026-0FS	1	Drive Nut
19	N-P10-003-104	1	3/16" Dia. X 1 1/4" Lg. Shear-Proof Pin
20	R-020-026-0FS	2	Depth Stop Collar
21	N-B21-050-002	1	Flange Bearing
22	R-022-026-0FS	1	Groove Depth Assembly for Steel
23	N-P01-002-104	1	Roll Pin, 1/8" Dia. X 1 1/4" Lg.
24	R-902-026-L06	1	Lower Roll for Steel Pipe
25	N-P02-003-008	2	Dowel Pin, 3/16" Dia. X 1/2" Lg.
26	N-S22-010-006	3	#10-24 UNC X 3/8" Lg. Hex Washer Slotted Hd. Screw, Pltd.
27	R-027-226-LBL	2	Label- Keep Hands Away
28	R-007-026-0FS	2	Pipe End Stop for Steel Pipe
29	R-LAB-000-007	1	"C" Diameter Label for Steel
30	N-S05-040-104	1	Shoulder Screw, 1/4 Dia. X 1 1/4" Lg., Blk. Ox.
31	N-N15-010-000	2	Elastic Locknut #10-24 UNC, Pltd.

Item#	Part #	Qty.	Description
32	N-S05-080-012	1	Shoulder Screw 1/2 Dia. X 3/4" Lg., Blk. Ox.
33	N-P80-000-010	1	Roll Pin 5/32 Dia. X 3/4" Lg.
34	N-S90-010-006	1	#10-24 UNC X 3/8" Lg. 1/2 Dog Point Set Screw w/ Nylon Insert, Blk. Ox.
35	N-B02-075-005	1	Bearing
36	N-S03-010-008	2	#10-24 UNC X 1/2" Lg. Socket Head Cap Screw, Blk. Ox.
37	N-P02-003-012	2	Dowel Pin, 3/16" Dia. X 3/4" Lg.
38	N-S05-050-112	1	Shoulder Screw, 5/16" Dia. X 1 3/4" Lg., Blk. Ox.
39	N-B02-062-002	1	Bearing
40	N-P10-003-108	1	3/16" Dia. X 1 1/2" Lg. Shear-Proof Pin
41	N-T08-000-003	1	Spring Clip
42	N-B05-100-002	2	Thrust Washer
43	N-M09-000-005	1	#12 Steel Single Jack Chain, 7 Links
44	N-B05-075-002	2	Thrust Washer
45	R-046-026-LBL	1	Caution Label
46	N-S26-010-012	4	#10-24 UNC X 3/4" Lg. Flat Hd, Soc. Cap Screw w/ Nylon Insert, Blk. Ox.
47	R-041-026-PLT	2	Handle Spacer
48	R-300-026-0FS	1	Crank, Assembly
48A	N-M04-000-016	1	Revolving Handle
48B	R-301-026-ZLT	1	Crank Arm
49	R-026-026-0FS	1	Serial Number Tag for Steel
50	N-S02-010-200	2	#10-24 UNC X 2" Lg. Socket Hd. Cap Screw, Blk. Ox.
51	R-043-026-PLT	1	Handle
52	N-S22-010-010	1	#10-24 UNC X 1" Lg. Hex Washer Slotted Hd. Scr., Pltd.
53	N-W01-010-000	1	#10 Flat Washer, Pltd.
54	R-082-026-0FS	1	Depth Gauge for 2" Steel
55	R-083-026-0FS	1	Depth Gauge for 2 1/2" & 3" Steel
56	R-084-026-0FS	1	Depth Gauge for 4", 5" & 6" Steel

** Indicates additional items required when ordered.

VE26SS LIGHT-WALL STAINLESS STEEL GROOVER

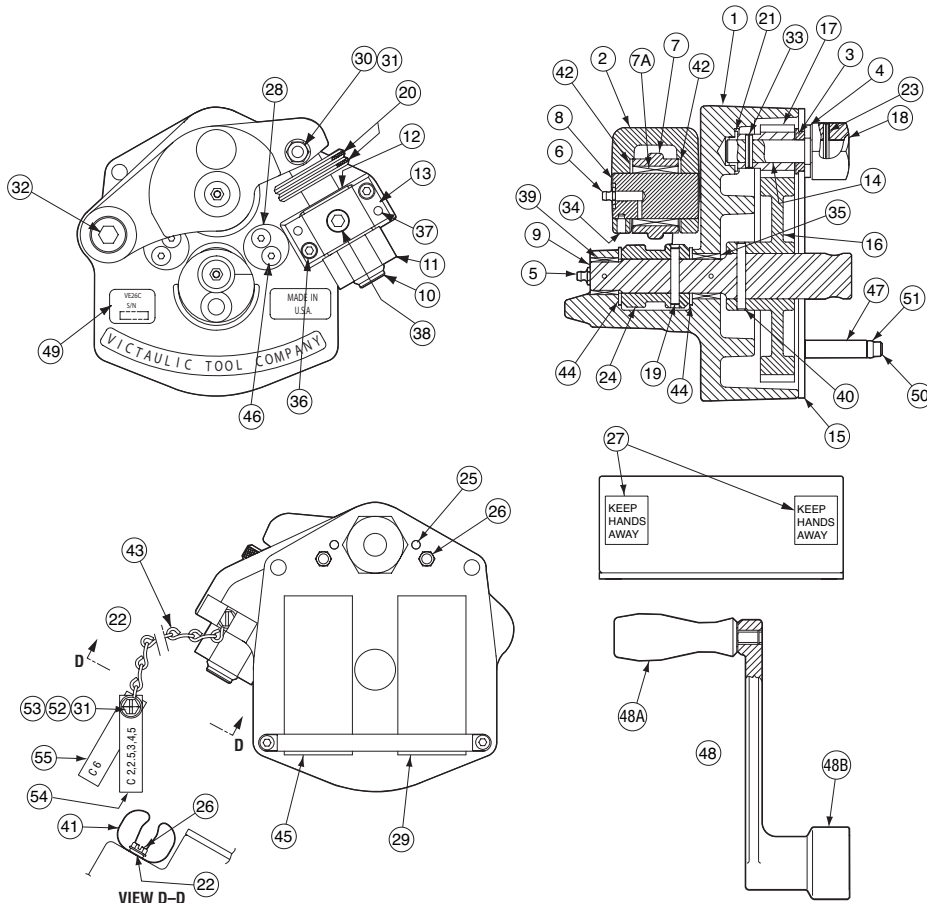


Item#	Part #	Qty.	Description
1	R-001-026-OFS	1	Body
2	R-002-012-OFS	1	Arm
3	R-003-026-MCH	1	Flange Bearing
4	R-004-026-MCH	1	Jam Nut
5	N-M01-000-008	1	Grease Fitting, $\frac{5}{16}$ " - 32, Straight
6	N-M01-000-007	1	Grease Fitting, $\frac{1}{4}$ " - 28, Straight
7	R-X02-026-U06	1	Upper Roll for Light Wall SS Pipe **
7A	N-B02-100-008	1	Bearing
8	R-008-026-OFS	1	Upper Shaft
9	R-109-026-MCH	1	Lower Shaft
10	R-010-026-OFS	1	Feed Screw
11	R-011-026-OFS	1	Feed Nut
12	R-012-026-OFS	1	Trunnion
13	R-013-026-OFS	1	Front Plate
14	R-014-026-OFS	1	Pinion Shaft
15	R-115-026-PLT	1	Gear Cover Plate
16	R-116-026-MCH	1	Gear
17	R-017-026-OFS	1	Pinion
18	R-018-026-OFS	1	Drive Nut
19	N-P10-003-104	1	$\frac{3}{16}$ " Dia. X $1\frac{1}{4}$ " Lg. Shear-Proof Pin
20	R-020-026-OFS	2	Depth Stop Collar
21	N-B21-050-002	1	Flange Bearing
22	R-022-026-OFS	1	Groove Depth Assembly for Steel
23	N-P01-002-104	1	Roll Pin, $\frac{1}{8}$ " Dia. X $1\frac{1}{4}$ " Lg.
24	R-X02-026-L06	1	Lower Roll for Light Wall SS Pipe
25	N-P02-003-008	2	Dowel Pin, $\frac{3}{16}$ " Dia. X $\frac{1}{2}$ " Lg.
26	N-S22-010-006	3	#10-24 UNC X $\frac{3}{8}$ " Lg. Hex Washer Slotted Hd. Screw, Pltd.
27	R-027-226-LBL	2	Label- Keep Hands Away
28	R-028-026-PLT	2	Pipe End Stop for Light Wall SS Pipe
29	R-LAB-000-007	1	"C" Diameter Label for Steel
30	N-S05-040-104	1	Shoulder Screw, $\frac{1}{4}$ " Dia. X $1\frac{1}{4}$ " Lg., Blk. Ox.

Item#	Part #	Qty.	Description
31	N-N15-010-000	2	Elastic Locknut #10-24 UNC, Pltd.
32	N-S05-080-012	1	Shoulder Screw $\frac{1}{2}$ " Dia. X $\frac{3}{4}$ " Lg., Blk. Ox.
33	N-P80-000-010	1	Roll Pin $\frac{5}{32}$ " Dia. X $\frac{3}{4}$ " Lg.
34	N-S90-010-006	1	#10-24 UNC X $\frac{3}{8}$ " Lg. $\frac{1}{2}$ " Dog Point Set Screw w/ Nylon Insert, Blk. Ox.
35	N-B02-075-005	1	Bearing
36	N-S03-010-008	2	#10-24 UNC X $\frac{1}{2}$ " Lg. Socket Head Cap Screw, Blk. Ox.
37	N-P02-003-012	2	Dowel Pin, $\frac{3}{16}$ " Dia. X $\frac{3}{4}$ " Lg.
38	N-S05-050-112	1	Shoulder Screw, $\frac{5}{16}$ " Dia. X $1\frac{3}{4}$ " Lg., Blk. Ox.
39	N-B02-062-002	1	Bearing
40	N-P10-003-108	1	$\frac{3}{16}$ " Dia. X $1\frac{1}{2}$ " Lg. Shear-Proof Pin
41	N-T08-000-003	1	Spring Clip
42	N-B05-100-002	2	Thrust Washer
43	N-M09-000-005	1	#12 Steel Single Jack Chain, 7 Links
44	N-B05-075-002	2	Thrust Washer
45	R-046-026-LBL	1	Caution Label
46	N-S26-010-012	4	#10-24 UNC X $\frac{3}{4}$ " Lg. Flat Hd. Soc. Cap Screw w/ Nylon Insert, Blk. Ox.
47	R-041-026-PLT	2	Handle Spacer
48	R-300-026-OFS	1	Crank, Assembly
48A	N-M04-000-016	1	Revolving Handle
48B	R-301-026-ZLT	1	Crank Arm
50	N-S02-010-200	2	#10-24 UNC X 2" Lg. Socket Hd. Cap Screw, Blk. Ox.
51	R-043-026-PLT	1	Handle
52	N-S22-010-010	1	#10-24 UNC X 1" Lg. Hex Washer Slotted Hd. Scr., Pltd.
53	N-W01-010-000	1	#10 Flat Washer, Pltd.
54	R-082-026-OFS	1	Depth Gauge for 2" Steel
55	R-083-026-OFS	1	Depth Gauge for 2 $\frac{1}{2}$ " & 3" Steel
56	R-084-026-OFS	1	Depth Gauge for 4", 5" & 6" Steel

** Indicates additional items required when ordered.

VE26C COPPER GROOVER

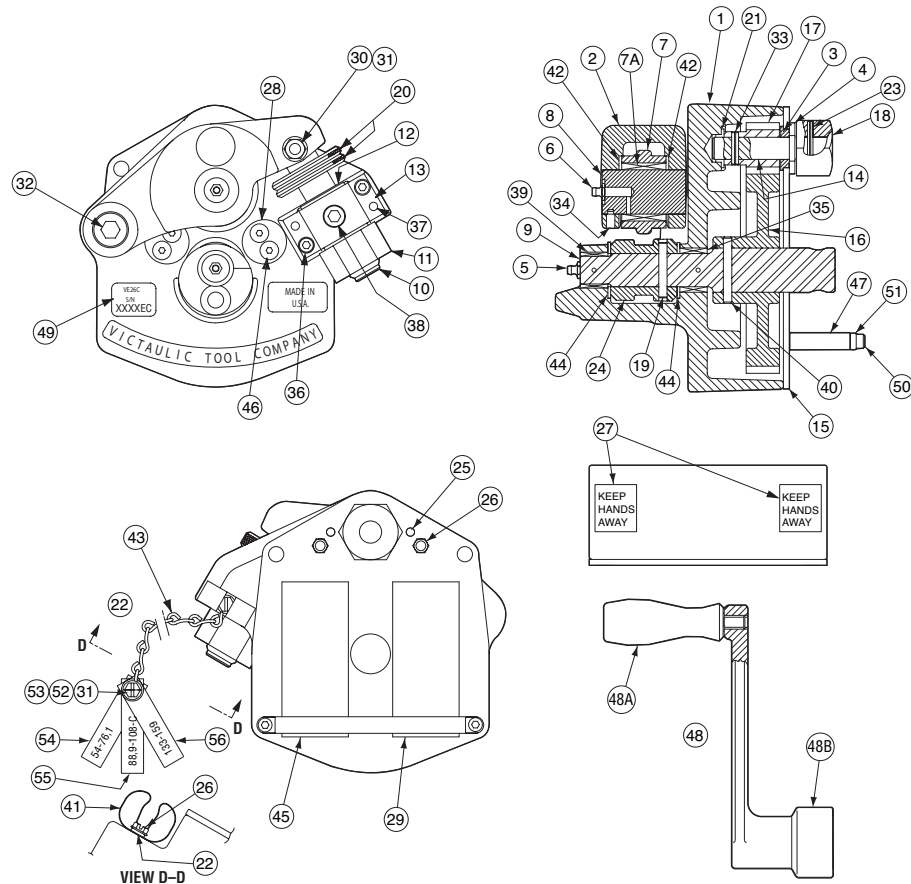


Item#	Part #	Qty.	Description
1	R-001-026-0FS	1	Body
2	R-002-012-0FS	1	Arm
3	R-003-026-MCH	1	Flange Bearing
4	R-004-026-MCH	1	Jam Nut
5	N-M01-000-008	1	Grease Fitting, 5/16" - 32, Straight
6	N-M01-000-007	1	Grease Fitting, 1/4" - 28, Straight
7	R-R02-026-U06	1	Upper Roll for Copper Tubing **
7A	N-B02-100-008	1	Bearing
8	R-008-026-0FS	1	Upper Shaft
9	R-109-026-MCH	1	Lower Shaft
10	R-010-026-0FS	1	Feed Screw
11	R-011-026-0FS	1	Feed Nut
12	R-012-026-0FS	1	Trunnion
13	R-013-026-0FS	1	Front Plate
14	R-014-026-0FS	1	Pinion Shaft
15	R-115-026-PLT	1	Gear Cover Plate
16	R-116-026-MCH	1	Gear
17	R-017-026-0FS	1	Pinion
18	R-018-026-0FS	1	Drive Nut
19	N-P10-003-104	1	3/16" Dia. X 1 1/4" Lg. Shear-Proof Pin
20	R-020-026-0FS	2	Depth Stop Collar
21	N-B21-050-002	1	Flange Bearing
22	R-023-026-0FS	1	Groove Depth Assembly for Copper
23	N-P01-002-104	1	Roll Pin, 1/8" Dia. X 1 1/4" Lg.
24	R-R02-026-L06	1	Lower Roll for Copper Tubing
25	N-P02-003-008	2	Dowel Pin, 3/16" Dia. X 1/2" Lg.
26	N-S22-010-006	3	#10-24 UNC X 3/8" Lg. Hex Washer Slotted Hd. Screw, Pltd.
27	R-027-226-LBL	2	Label- Keep Hands Away
28	R-0C7-026-0FS	2	Pipe End Stop for Copper Tubing
29	R-LAB-000-008	1	"C" Diameter Label for Copper
30	N-S05-040-104	1	Shoulder Screw, 1/4 Dia. X 1 1/4" Lg., Blk. Ox.

Item#	Part #	Qty.	Description
31	N-N15-010-000	2	Elastic Locknut #10-24 UNC, Pltd.
32	N-S05-080-012	1	Shoulder Screw 1/2 Dia. X 3/4" Lg., Blk. Ox.
33	N-P80-000-010	1	Roll Pin 5/32 Dia. X 3/4" Lg.
34	N-S90-010-006	1	#10-24 UNC X 3/8" Lg. 1/2 Dog Point Set Screw w/ Nylon Insert, Blk. Ox.
35	N-B02-075-005	1	Bearing
36	N-S03-010-008	2	#10-24 UNC X 1/2" Lg. Socket Head Cap Screw, Blk. Ox.
37	N-P02-003-012	2	Dowel Pin, 3/16" Dia. X 3/4" Lg.
38	N-S05-050-112	1	Shoulder Screw, 5/16" Dia. X 1 3/4" Lg., Blk. Ox.
39	N-B02-062-002	1	Bearing
40	N-P10-003-108	1	3/16" Dia. X 1 1/2" Lg. Shear-Proof Pin
41	N-T08-000-003	1	Spring Clip
42	N-B05-100-002	2	Thrust Washer
43	N-M09-000-005	1	#12 Steel Single Jack Chain, 7 Links
44	N-B05-075-002	2	Thrust Washer
45	R-046-026-LBL	1	Caution Label
46	N-S26-010-012	4	#10-24 UNC X 3/4" Lg. Flat Hd, Soc. Cap Screw w/ Nylon Insert, Blk. Ox.
47	R-041-026-PLT	2	Handle Spacer
48	R-300-026-0FS	1	Crank, Assembly
48A	N-M04-000-016	1	Revolving Handle
48B	R-301-026-ZLT	1	Crank Arm
49	R-027-026-0FS	1	Serial Number Tag for Copper
50	N-S02-010-200	2	#10-24 UNC X 2" Lg. Socket Hd. Cap Screw, Blk. Ox.
51	R-043-026-PLT	1	Handle
52	N-S22-010-012	1	#10-24 UNC X 3/4" Lg. Hex Washer Slotted Hd. Scr., Pltd.
53	N-W01-010-000	1	#10 Flat Washer, Pltd.
54	R-080-026-0FS	1	Depth Gauge for 2", 2 1/2", 3", 4" & 5" Copper
55	R-081-026-0FS	1	Depth Gauge for 6" Copper

** Indicates additional items required when ordered.

VE26EC COPPER GROOVER

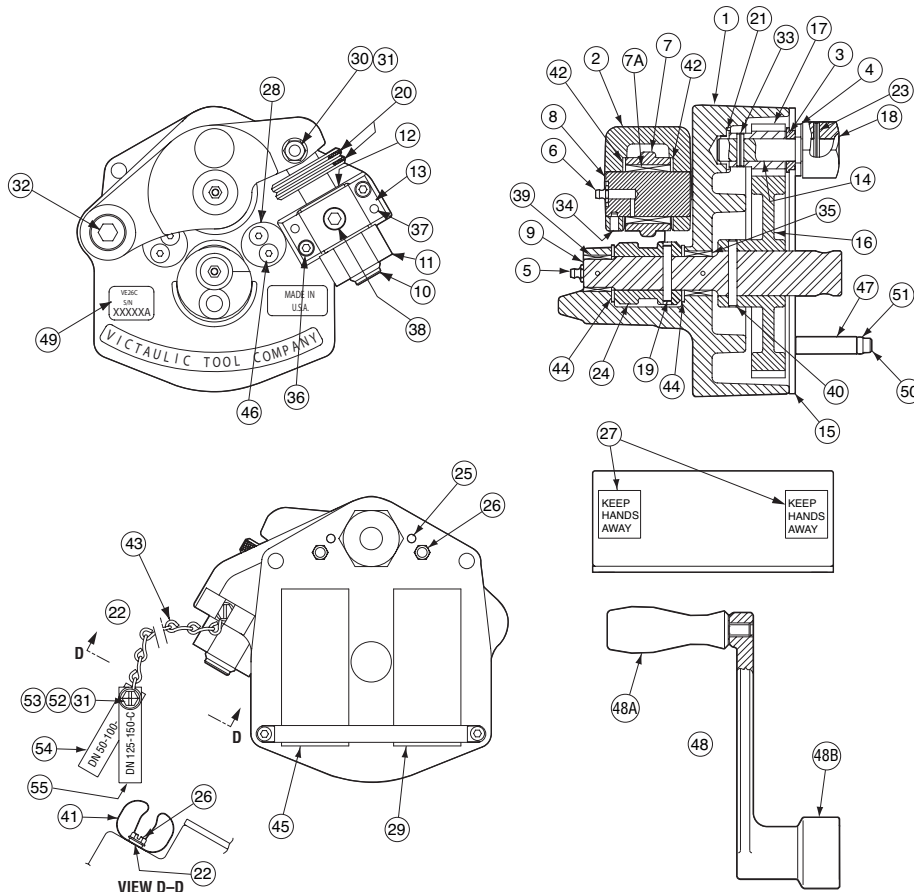


Item#	Part #	Qty.	Description
1	R-001-026-0FS	1	Body
2	R-002-012-0FS	1	Arm
3	R-003-026-MCH	1	Flange Bearing
4	R-004-026-MCH	1	Jam Nut
5	N-M01-000-008	1	Grease Fitting, 5/16" - 32, Straight
6	N-M01-000-007	1	Grease Fitting, 1/4" - 28, Straight
7	R-RE2-026-U06	1	Upper Roll for European Copper Tubing **
7A	N-B02-100-008	1	Bearing
8	R-008-026-0FS	1	Upper Shaft
9	R-109-026-MCH	1	Lower Shaft
10	R-010-026-0FS	1	Feed Screw
11	R-011-026-0FS	1	Feed Nut
12	R-012-026-0FS	1	Trunnion
13	R-013-026-0FS	1	Front Plate
14	R-014-026-0FS	1	Pinion Shaft
15	R-115-026-PLT	1	Gear Cover Plate
16	R-116-026-MCH	1	Gear
17	R-017-026-0FS	1	Pinion
18	R-018-026-0FS	1	Drive Nut
19	N-P10-003-104	1	3/16" Dia. X 1 1/4" Lg. Shear-Proof Pin
20	R-020-026-0FS	2	Depth Stop Collar
21	N-B21-050-002	1	Flange Bearing
22	R-034-026-0FS	1	Groove Depth Assembly for EC Copper
23	N-P01-002-104	1	Roll Pin, 1/8" Dia. X 1 1/4" Lg.
24	R-RE2-026-L06	1	Lower Roll for European Copper Tubing
25	N-P02-003-008	2	Dowel Pin, 3/16" Dia. X 1/2" Lg.
26	N-S22-010-006	3	#10-24 UNC X 3/8" Lg. Hex Washer Slotted Hd. Screw, Plttd.
27	R-027-226-LBL	2	Label- Keep Hands Away
28	R-401-026-0FS	2	Pipe End Stop for European Copper Tubing
29	R-LAB-000-016	1	"C" Diameter Label for EC Copper
30	N-S05-040-104	1	Shoulder Screw, 1/4" Dia. X 1 1/4" Lg., Blk. Ox.
31	N-N15-010-000	2	Elastic Locknut #10-24 UNC, Plttd.

Item#	Part #	Qty.	Description
32	N-S05-080-012	1	Shoulder Screw 1/2" Dia. X 3/4" Lg., Blk. Ox.
33	N-P80-000-010	1	Roll Pin 5/32" Dia. X 3/4" Lg.
34	N-S90-010-006	1	#10-24 UNC X 3/8" Lg. 1/2" Dog Point Set Screw w/ Nylon Insert, Blk. Ox.
35	N-B02-075-005	1	Bearing
36	N-S03-010-008	2	#10-24 UNC X 1/2" Lg. Socket Head Cap Screw, Blk. Ox.
37	N-P02-003-012	2	Dowel Pin, 3/16" Dia. X 3/4" Lg.
38	N-S05-050-112	1	Shoulder Screw, 5/16" Dia. X 1 3/4" Lg., Blk. Ox.
39	N-B02-062-002	1	Bearing
40	N-P10-003-108	1	3/16" Dia. X 1 1/2" Lg. Shear-Proof Pin
41	N-T08-000-003	1	Spring Clip
42	N-B05-100-002	2	Thrust Washer
43	N-M09-000-005	1	#12 Steel Single Jack Chain, 7 Links
44	N-B05-075-002	2	Thrust Washer
45	R-446-026-LBL	1	Caution Label for EC Copper
46	N-S26-010-012	4	#10-24 UNC X 3/4" Lg. Flat Hd, Soc. Cap Screw w/ Nylon Insert, Blk. Ox.
47	R-041-026-PLT	2	Handle Spacer
48	R-300-026-0FS	1	Crank, Assembly
48A	N-M04-000-016	1	Revolving Handle
48B	R-301-026-ZLT	1	Crank Arm
49	R-027-026-0FS	1	Serial Number Tag for Copper
50	N-S02-010-200	2	#10-24 UNC X 2" Lg. Socket Hd. Cap Screw, Blk. Ox.
51	R-043-026-PLT	1	Handle
52	N-S22-010-010	1	#10-24 UNC X 1" Lg. Hex Washer Slotted Hd. Scr., Plttd.
53	N-W01-010-000	1	#10 Flat Washer, Plttd.
54	R-085-026-0FS	1	Depth Gauge for 54 - 76,1 mm Tubing
55	R-086-026-0FS	1	Depth Gauge for 88,9 - 108 mm Tubing
56	R-087-026-0FS	1	Depth Gauge for 133 - 159 mm Tubing

** Indicates additional items required when ordered.

VE26AC COPPER GROOVER

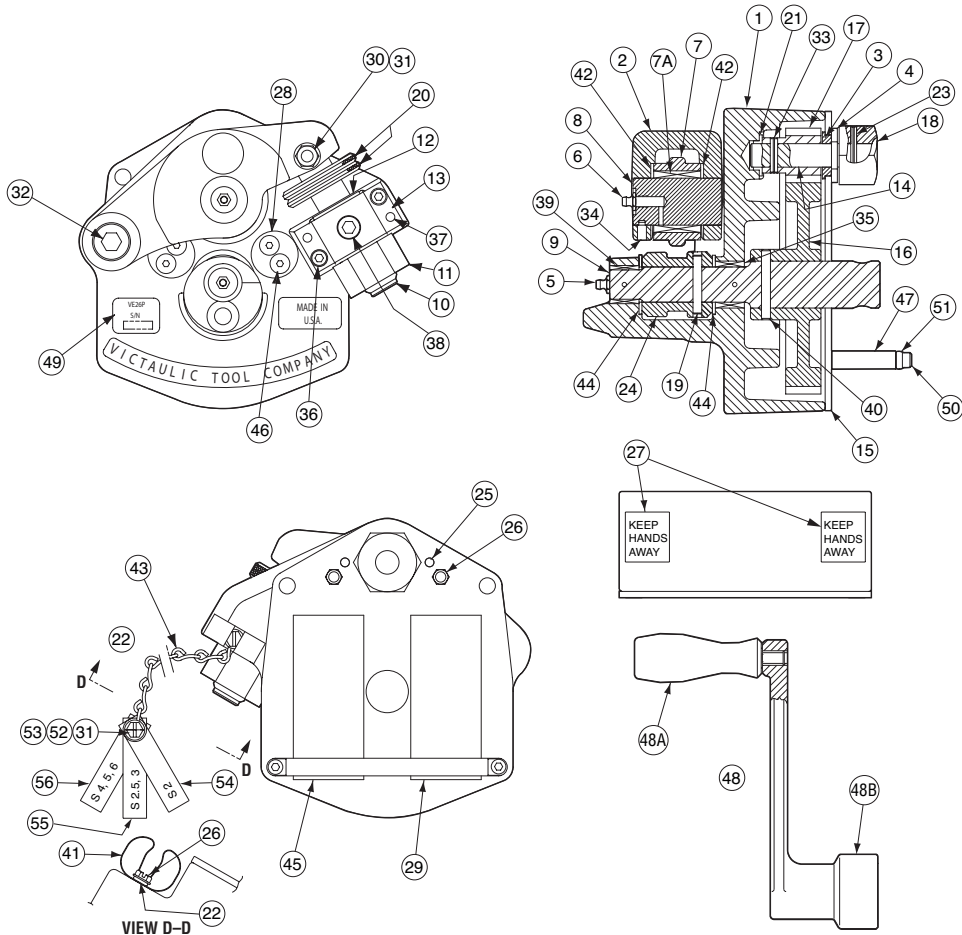


Item#	Part #	Qty.	Description
1	R-501-026-0FS	1	Body
2	R-002-012-0FS	1	Arm
3	R-003-026-MCH	1	Flange Bearing
4	R-004-026-MCH	1	Jam Nut
5	N-M01-000-008	1	Grease Fitting, $\frac{5}{16}$ - 32, Straight
6	N-M01-000-007	1	Grease Fitting, $\frac{1}{4}$ - 28, Straight
7	R-RE2-026-U06	1	Upper Roll for Export Copper Tubing **
7A	N-B02-100-008	1	Bearing
8	R-008-026-0FS	1	Upper Shaft
9	R-109-026-MCH	1	Lower Shaft
10	R-010-026-0FS	1	Feed Screw
11	R-011-026-0FS	1	Feed Nut
12	R-012-026-0FS	1	Trunnion
13	R-013-026-0FS	1	Front Plate
14	R-014-026-0FS	1	Pinion Shaft
15	R-115-026-PLT	1	Gear Cover Plate
16	R-116-026-MCH	1	Gear
17	R-017-026-0FS	1	Pinion
18	R-018-026-0FS	1	Drive Nut
19	N-P10-003-104	1	$\frac{3}{16}$ " Dia. X $1\frac{1}{4}$ " Lg. Shear-Proof Pin
20	R-020-026-0FS	2	Depth Stop Collar
21	N-B21-050-002	1	Flange Bearing
22	R-035-026-0FS	1	Groove Depth Assembly for Copper
23	N-P01-002-104	1	Roll Pin, $\frac{1}{8}$ " Dia. X $1\frac{1}{4}$ " Lg.
24	R-RE2-026-L06	1	Lower Roll for Export Copper Tubing
25	N-P02-003-008	2	Dowel Pin, $\frac{3}{16}$ " Dia. X $\frac{1}{2}$ " Lg.
26	N-S22-010-006	3	#10-24 UNC X $\frac{3}{8}$ " Lg. Hex Washer Slotted Hd. Screw, Pltd.
27	R-027-226-LBL	2	Label- Keep Hands Away
28	R-401-026-0FS	2	Pipe End Stop for Export Copper Tubing
29	R-LAB-000-015	1	"C" Diameter Label for Australian Copper
30	N-S05-040-104	1	Shoulder Screw, $\frac{1}{4}$ " Dia. X $1\frac{1}{4}$ " Lg., Blk. Ox.

Item#	Part #	Qty.	Description
31	N-N15-010-000	2	Elastic Locknut #10-24 UNC, Pltd.
32	N-S05-080-012	1	Shoulder Screw $\frac{1}{2}$ " Dia. X $\frac{3}{4}$ " Lg., Blk. Ox.
33	N-P80-000-010	1	Roll Pin $\frac{5}{32}$ " Dia. X $\frac{3}{4}$ " Lg.
34	N-S90-010-006	1	#10-24 UNC X $\frac{3}{8}$ " Lg. $\frac{1}{2}$ " Dog Point Set Screw w/ Nylon Insert , Blk. Ox.
35	N-B02-075-005	1	Bearing
36	N-S03-010-008	2	#10-24 UNC X $\frac{1}{2}$ " Lg. Socket Head Cap Screw, Blk. Ox.
37	N-P02-003-012	2	Dowel Pin, $\frac{3}{16}$ " Dia. X $\frac{3}{4}$ " Lg.
38	N-S05-050-112	1	Shoulder Screw, $\frac{5}{16}$ " Dia. X $1\frac{3}{4}$ " Lg., Blk. Ox.
39	N-B02-062-002	1	Bearing
40	N-P10-003-108	1	$\frac{3}{16}$ " Dia. X $1\frac{1}{2}$ " Lg. Shear-Proof Pin
41	N-T08-000-003	1	Spring Clip
42	N-B05-100-002	2	Thrust Washer
43	N-M09-000-005	1	#12 Steel Single Jack Chain, 7 Links
44	N-B05-075-002	2	Thrust Washer
45	R-046-026-LBL	1	Caution Label
46	N-S26-010-012	4	#10-24 UNC X $\frac{3}{4}$ " Lg. Flat Hd, Soc. Cap Screw w/ Nylon Insert, Blk. Ox.
47	R-041-026-PLT	2	Handle Spacer
48	R-300-026-0FS	1	Crank, Assembly
48A	N-M04-000-016	1	Revolving Handle
48B	R-301-026-ZLT	1	Crank Arm
49	R-027-026-0FS	1	Serial Number Tag for Copper
50	N-S02-010-200	2	#10-24 UNC X 2" Lg. Socket Hd. Cap Screw, Blk. Ox.
51	R-043-026-PLT	1	Handle
52	N-S22-010-012	1	#10-24 UNC X $\frac{3}{4}$ " Lg. Hex Washer Slotted Hd. Scr., Pltd.
53	N-W01-010-000	1	#10 Flat Washer, Pltd.
54	R-088-026-0FS	1	Depth Gauge for 50 - 100 mm Tubing
55	R-089-026-0FS	1	Depth Gauge for 125 - 150 mm Tubing

** Indicates additional items required when ordered.

VE26P PVC/ALUMINUM GROOVER

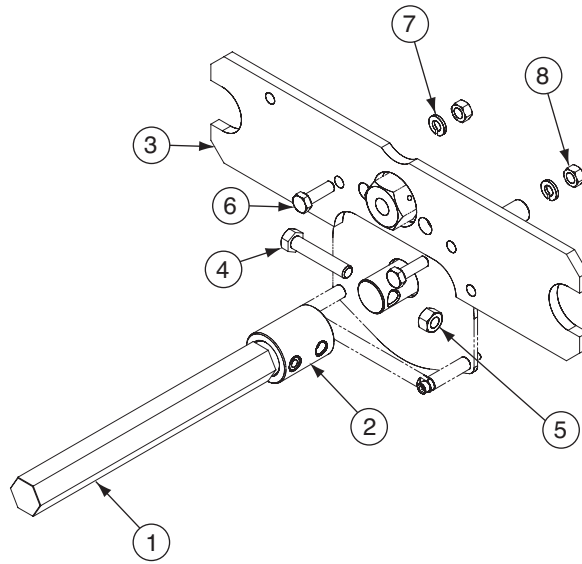


Item#	Part #	Qty.	Description
1	R-001-026-0FS	1	Body
2	R-002-012-0FS	1	Arm
3	R-003-026-MCH	1	Flange Bearing
4	R-004-026-MCH	1	Jam Nut
5	N-M01-000-008	1	Grease Fitting, $\frac{5}{16}$ - 32, Straight
6	N-M01-000-007	1	Grease Fitting, $\frac{1}{4}$ - 28, Straight
7	R-P02-026-U06	1	Upper Roll for PVC/Aluminum Pipe **
7A	N-B02-100-008	1	Bearing
8	R-008-026-0FS	1	Upper Shaft
9	R-109-026-MCH	1	Lower Shaft
10	R-010-026-0FS	1	Feed Screw
11	R-011-026-0FS	1	Feed Nut
12	R-012-026-0FS	1	Trunnion
13	R-013-026-0FS	1	Front Plate
14	R-014-026-0FS	1	Pinion Shaft
15	R-115-026-PLT	1	Gear Cover Plate
16	R-116-026-MCH	1	Gear
17	R-017-026-0FS	1	Pinion
18	R-018-026-0FS	1	Drive Nut
19	N-P10-003-104	1	$\frac{3}{16}$ " Dia. X $1\frac{1}{4}$ " Lg. Shear-Proof Pin
20	R-020-026-0FS	2	Depth Stop Collar
21	N-B21-050-002	1	Flange Bearing
22	R-022-026-0FS	1	Groove Depth Assembly for Steel
23	N-P01-002-104	1	Roll Pin, $\frac{1}{8}$ " Dia. X $1\frac{1}{4}$ " Lg.
24	R-P02-026-L06	1	Lower Roll for PVC/Aluminum
25	N-P02-003-008	2	Dowel Pin, $\frac{3}{16}$ " Dia. X $\frac{1}{2}$ " Lg.
26	N-S22-010-006	3	#10-24 UNC X $\frac{3}{8}$ " Lg. Hex Washer Slotted Hd. Screw, Pltd.
27	R-027-226-LBL	2	Label- Keep Hands Away
28	R-007-026-0FS	2	Pipe End Stop for Steel Pipe
29	R-LAB-000-007	1	"C" Diameter Label for Steel
30	N-S05-040-104	1	Shoulder Screw, $\frac{1}{4}$ " Dia. X $1\frac{1}{4}$ " Lg., Blk. Ox.
31	N-N15-010-000	2	Elastic Locknut #10-24 UNC, Pltd.

Item#	Part #	Qty.	Description
32	N-S05-080-012	1	Shoulder Screw $\frac{1}{2}$ " Dia. X $\frac{3}{4}$ " Lg., Blk. Ox.
33	N-P80-000-010	1	Roll Pin $\frac{5}{32}$ " Dia. X $\frac{3}{4}$ " Lg.
34	N-S90-010-006	1	#10-24 UNC X $\frac{3}{8}$ " Lg. $\frac{1}{2}$ " Dog Point Set Screw w/ Nylon Insert, Blk. Ox.
35	N-B02-075-005	1	Bearing
36	N-S03-010-008	2	#10-24 UNC X $\frac{1}{2}$ " Lg. Socket Head Cap Screw, Blk. Ox.
37	N-P02-003-012	2	Dowel Pin, $\frac{3}{16}$ " Dia. X $\frac{3}{4}$ " Lg.
38	N-S05-050-112	1	Shoulder Screw, $\frac{5}{16}$ " Dia. X $1\frac{3}{4}$ " Lg., Blk. Ox.
39	N-B02-062-002	1	Bearing
40	N-P10-003-108	1	$\frac{3}{16}$ " Dia. X $1\frac{1}{2}$ " Lg. Shear-Proof Pin
41	N-T08-000-003	1	Spring Clip
42	N-B05-100-002	2	Thrust Washer
43	N-M09-000-005	1	#12 Steel Single Jack Chain, 7 Links
44	N-B05-075-002	2	Thrust Washer
45	R-046-026-LBL	1	Caution Label
46	N-S26-010-012	4	#10-24 UNC X $\frac{3}{4}$ " Lg. Flat Hd. Soc. Cap Screw w/ Nylon Insert, Blk. Ox.
47	R-041-026-PLT	2	Handle Spacer
48	R-300-026-0FS	1	Crank, Assembly
48A	N-M04-000-016	1	Revolving Handle
48B	R-301-026-ZLT	1	Crank Arm
49	R-752-026-LBL	1	Serial Number Tag for PVC/Aluminum
50	N-S02-010-200	2	#10-24 UNC X 2" Lg. Socket Hd. Cap Screw, Blk. Ox.
51	R-043-026-PLT	1	Handle
52	N-S22-010-010	1	#10-24 UNC X 1" Lg. Hex Washer Slotted Hd. Scr., Pltd.
53	N-W01-010-000	1	#10 Flat Washer, Pltd.
54	R-082-026-0FS	1	Depth Gauge for 2" Steel
55	R-083-026-0FS	1	Depth Gauge for 2 $\frac{1}{2}$ " & 3" Steel
56	R-084-026-0FS	1	Depth Gauge for 4", 5" & 6" Steel

** Indicates additional items required when ordered.

VE26 POWER DRIVE ADAPTER PLATE KIT



Item#	Part #	Qty.	Description
1	R-042-026-PLT	1	Drive Shaft
2	R-044-026-PLT	1	Drive Adapter
3	R-040-026-PLT	1	Power Drive Mounting Plate
4	N-S01-060-032	1	$\frac{3}{8}$ -16 UNC X 2" Lg. Hex Hd. Bolt, Pltd.
5	N-N08-060-000	1	$\frac{3}{8}$ -16 UNC Hex Nut with Nylon Insert, Pltd.
6	N-S01-050-100	2	$\frac{5}{16}$ -18 UNC X 1" Lg. Hex Hd. Cap Screw, Pltd.
7	N-W03-050-000	2	$\frac{5}{16}$ " Lock Washer, Pltd.
8	N-N01-050-000	2	$\frac{5}{16}$ -18 UNC Hex Nut, Pltd.

NOTE: The part number for the entire assembly is R-075-026-KIT.