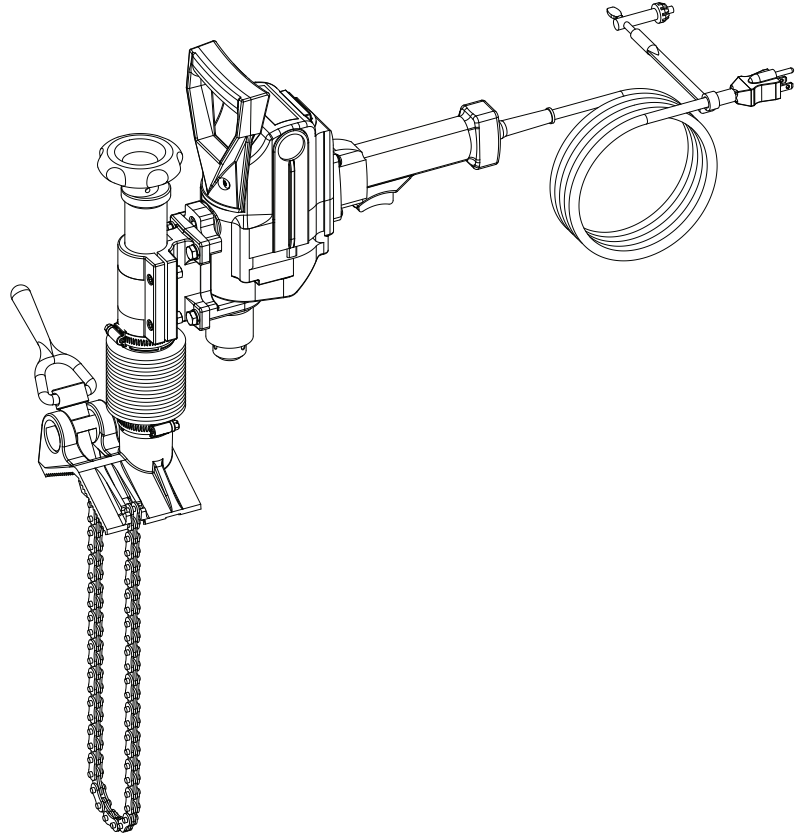

HCT908 Hole Cutting Tool

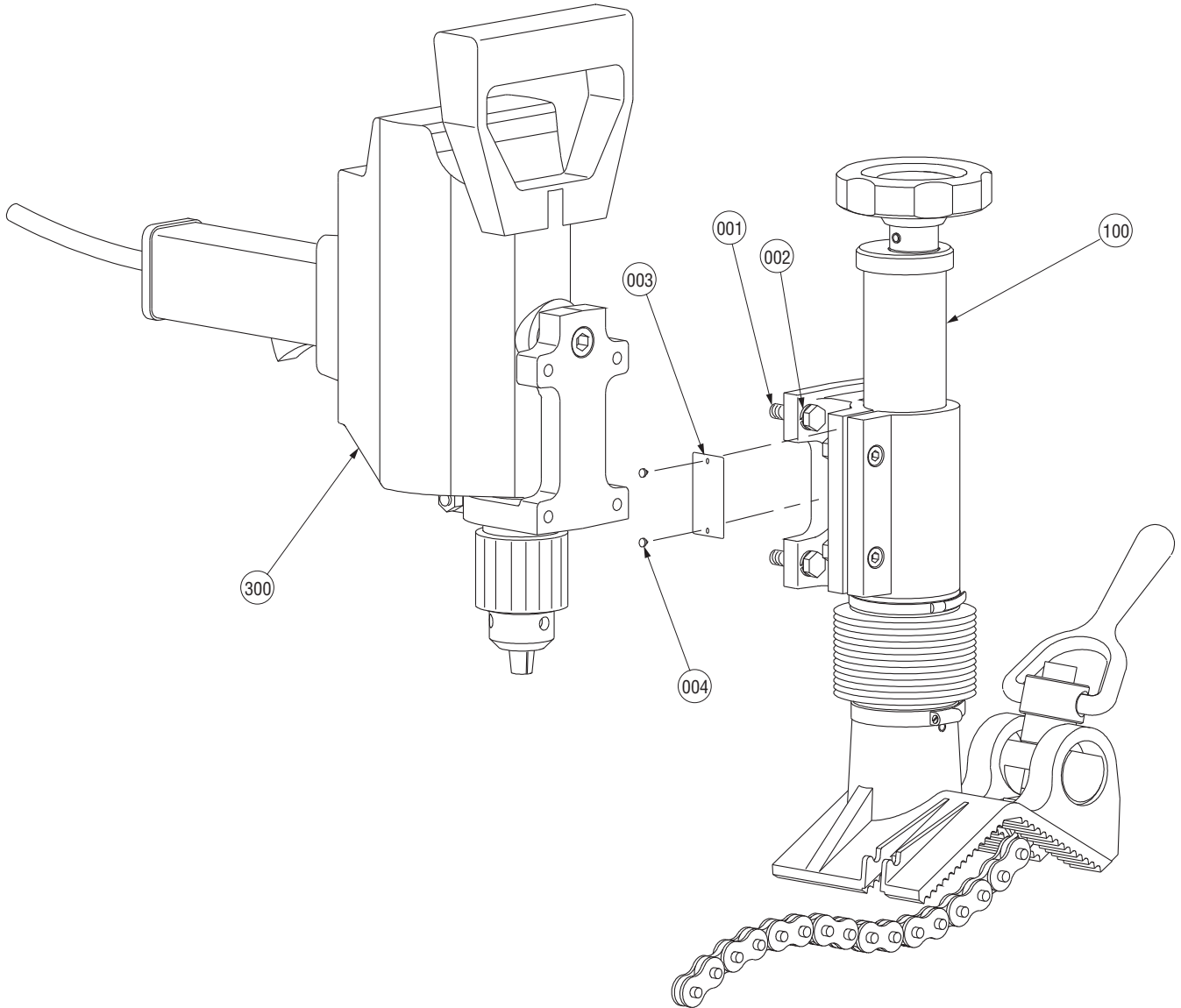


PARTS ORDERING INFORMATION

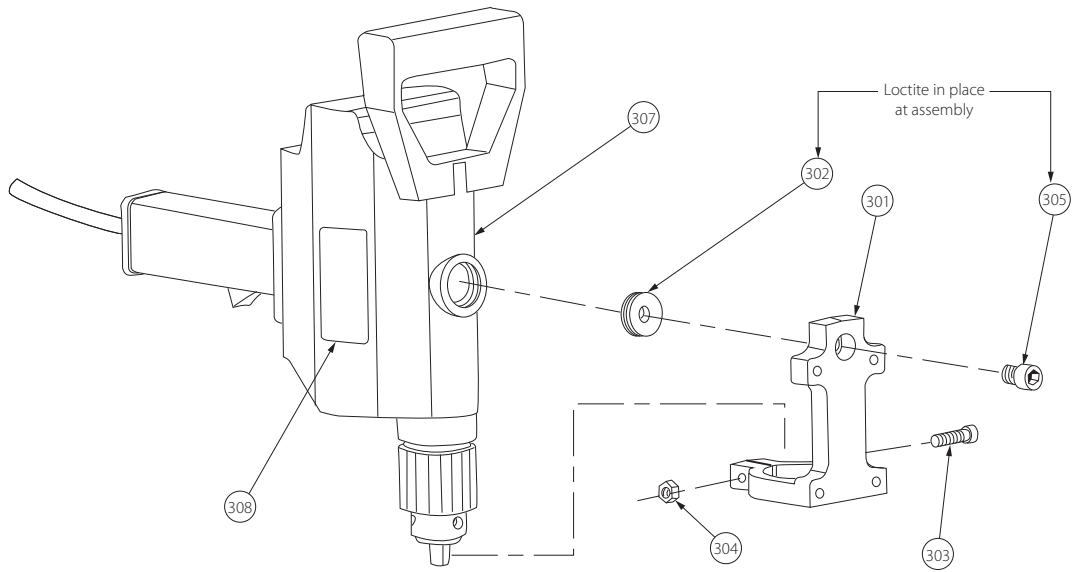
When ordering parts, the following information is necessary for Victaulic to process the order promptly:

1. Tool model number – HCT908
2. Tool serial number – The serial number can be found on the side of the tool.
3. Item number, part number, description, and quantity required
4. Where to send the part(s) – Company name and address
5. To whose attention to send the part(s)
6. Purchase order number

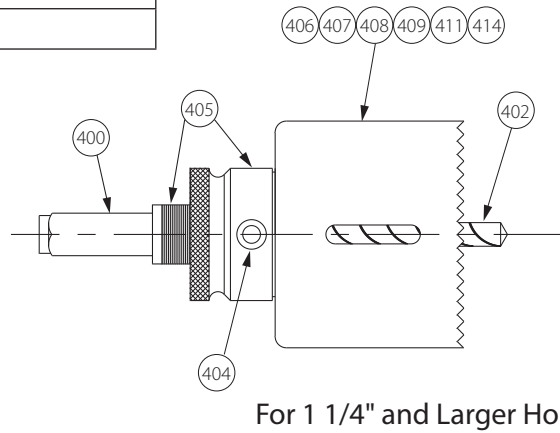
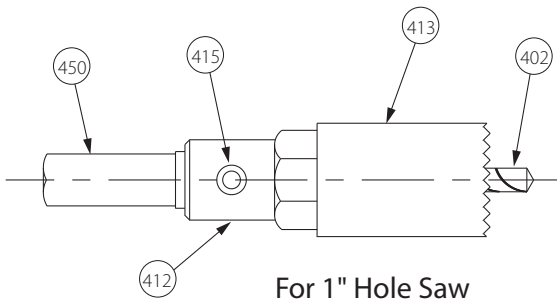
Parts may be ordered from the nearest Victaulic Sales Office.



Item#	Part #	Qty.	Description
000	R-000-904-001	1	Shipping Box (Not Shown)
001	N-S01-050-100	4	5/16 - 18UNC x 1.00 Lg. Hex Head Cap Screw, Pltd.
002	N-W03-050-000	4	5/16 Lockwasher, Pltd.
003	R-003-908-HCT	1	Serial No. Nameplate
004	N-T05-020-004	2	Metal Tack
100	R-100-904-HCT	1	Base Assembly
300	R-300-908-HCT	1	Hole Saw and Bracket Assembly
400	R-400-900-HCT	1	Arbor Assembly (Not Shown)



Item#	Part #	Qty.	Description
301	R-301-904-HCT	1	Adapter Bracket Mach. for Milwaukee
302	R-302-904-HCT	1	Plug Adapter
303	N-S03-040-100	1	1/4 - 20UNC x 1.00 Lg. Socket Head Cap Screw, Blk. Ox.
304	N-N01-040-000	1	1/4 - 20UNC Hex Nut, Plated
305	N-S03-060-008	1	3/8 - 16UNC x .50 Lg. Socket Head Cap Screw, Blk. Ox.
307	N-M20-000-009	1	Milwaukee Hole Shooter
308	R-LAB-000-001	1	Victaulic Tool Company Label



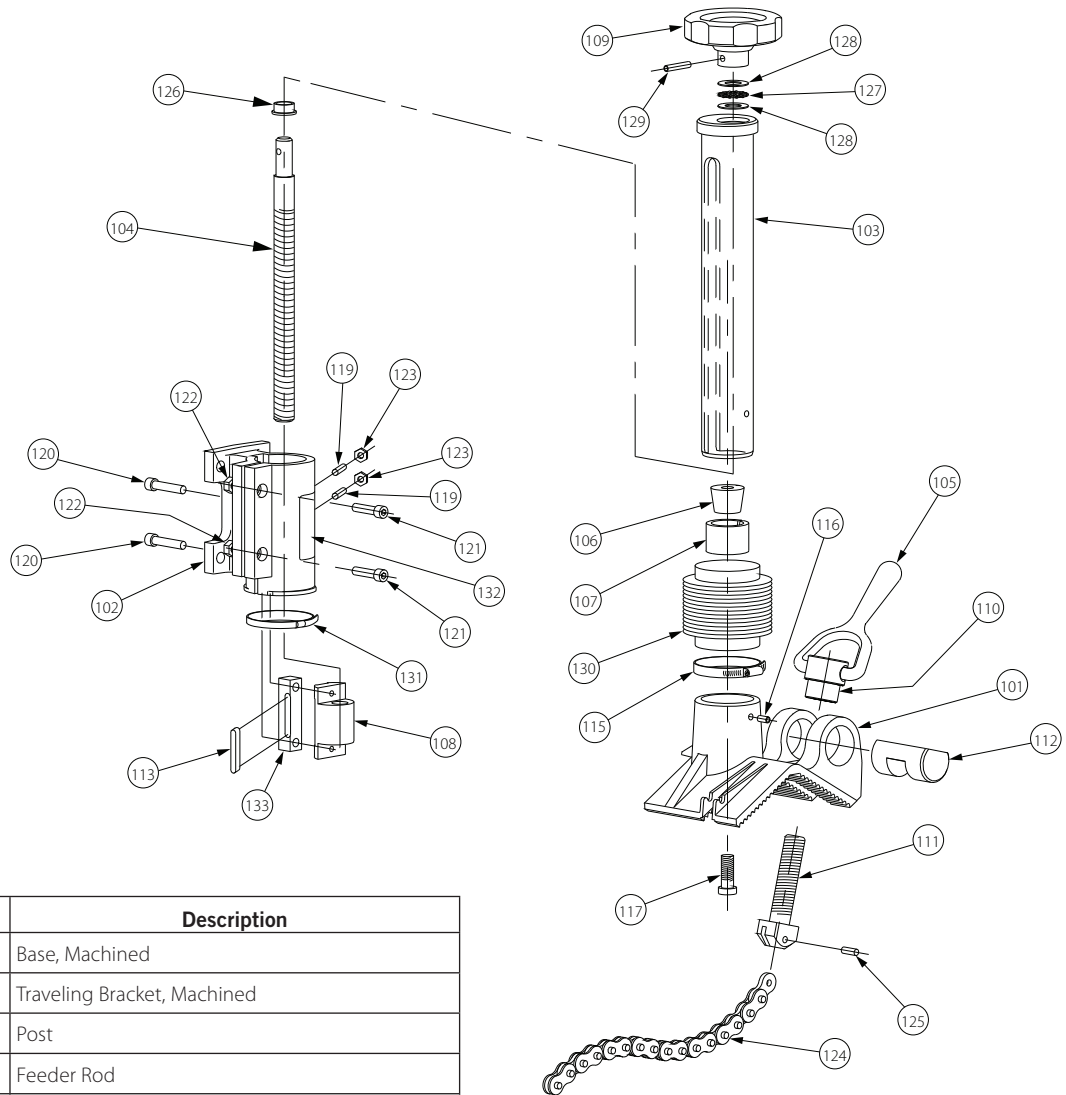
Item#	Part #	Qty.	Description
450	R-450-900-HCT	Ref.	Mandrel Assembly
402	R-402-900-HCT	1	Slug Saver Drill Bit Assembly
412	N-M14-000-007	1	Mandrel
415	N-S90-050-004	1	5/16 - 24 UNF x 1/4" Nyloc Half Dog Set Screw
413	N-M18-000-011	*	Hole Saw - 1"

*Hole saws purchased separately.

Item#	Part #	Qty.	Description
400	R-400-900-HCT	Ref.	Mandrel Assembly
402	R-402-900-HCT	1	Slug Saver Drill Bit Assembly
404	N-S90-050-010	1	5/16 - 24 UNF x 5/8" Nyloc Half Dog Set Screw
405	N-M14-000-025	1	Mandrel
406	N-M18-000-021	*	Hole Saw - 1 1/2"
407	N-M18-000-031	*	Hole Saw - 2"
408	N-M18-000-037	*	Hole Saw - 2 1/2"
409	N-M18-000-040	*	Hole Saw - 2 3/4"
411	N-M18-000-016	*	Hole Saw - 1 1/4"
414	N-M18-000-026	*	Hole Saw - 1 3/4"

*Hole saws purchased separately.

HCT908 Hole Cutting Tool



Item#	Part #	Qty.	Description
101	R-101-904-HCT	1	Base, Machined
102	R-102-904-HCT	1	Traveling Bracket, Machined
103	R-103-904-HCT	1	Post
104	R-104-904-HCT	1	Feeder Rod
105	R-105-904-HCT	1	Chain Nut Handle
106	R-106-904-HCT	1	Taper Plug
107	R-107-904-HCT	1	Taper Bushing
108	R-108-904-HCT	1	Traveling Nut
109	R-116-904-HCT	1	Feed Knob
110	R-110-904-HCT	1	Chain Nut
111	R-111-904-HCT	1	Chain Screw
112	R-112-904-HCT	1	Trunion
113	R-113-904-HCT	1	Gib
115	N-M39-000-001	1	Hose Clamp, Stainless Steel 2 1/2" Diameter
116	N-P01-004-012	1	Roll Pin, 1/4 x 3/4 Lg.
117	N-S20-060-100	1	3/8 - 16UNC x 1" Lg. Low Hd. Skt. Cap Screw, Blk. Ox.
119	N-S94-010-100	2	10 - 32UNF x 1" Lg. Cup Pt. Set Screw
120	N-S03-040-108	2	1/4 - 20UNC x 1 1/2" Lg. Skt. Head Cap Screw, Blk. Ox.
121	N-S03-040-100	2	1/4 - 20UNC x 1" Lg. Skt. Head Cap Screw, Blk. Ox.

Item#	Part #	Qty.	Description
122	N-N01-040-000	2	1/4 - 20UNC Hex Nut, Pltd.
123	N-N02-010-000	2	10 - 32UNF Hex Nut, Pltd.
124	N-M09-000-008	30 in.	Morse Wrench Chain, 48 Links
125	*	1	.20 Dia. x .56 Lg. Pin
126	N-B21-050-001	1	Flange Bearing
127	N-B03-050-001	1	Bearing
128	N-B05-050-001	2	Thrust Washer
129	N-P01-003-100	1	3/16 x 1" Lg. Roll Pin
130	R-115-904-HCT	1	Bellows
131	N-M39-000-002	1	Clamp, Plastic Ty-Rap
132	R-052-900-LBL	1	Warning Label
133	R-114-904-HCT	1	Key

*Supplied with item 124.

For complete contact information, visit victaulic.com

RP-HCT908 3129 REV B UPDATED 04/2018 RPL0908000

VICTAULIC IS A REGISTERED TRADEMARK OF VICTAULIC COMPANY. © 2018 VICTAULIC COMPANY. ALL RIGHTS RESERVED.

